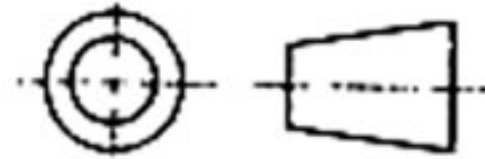
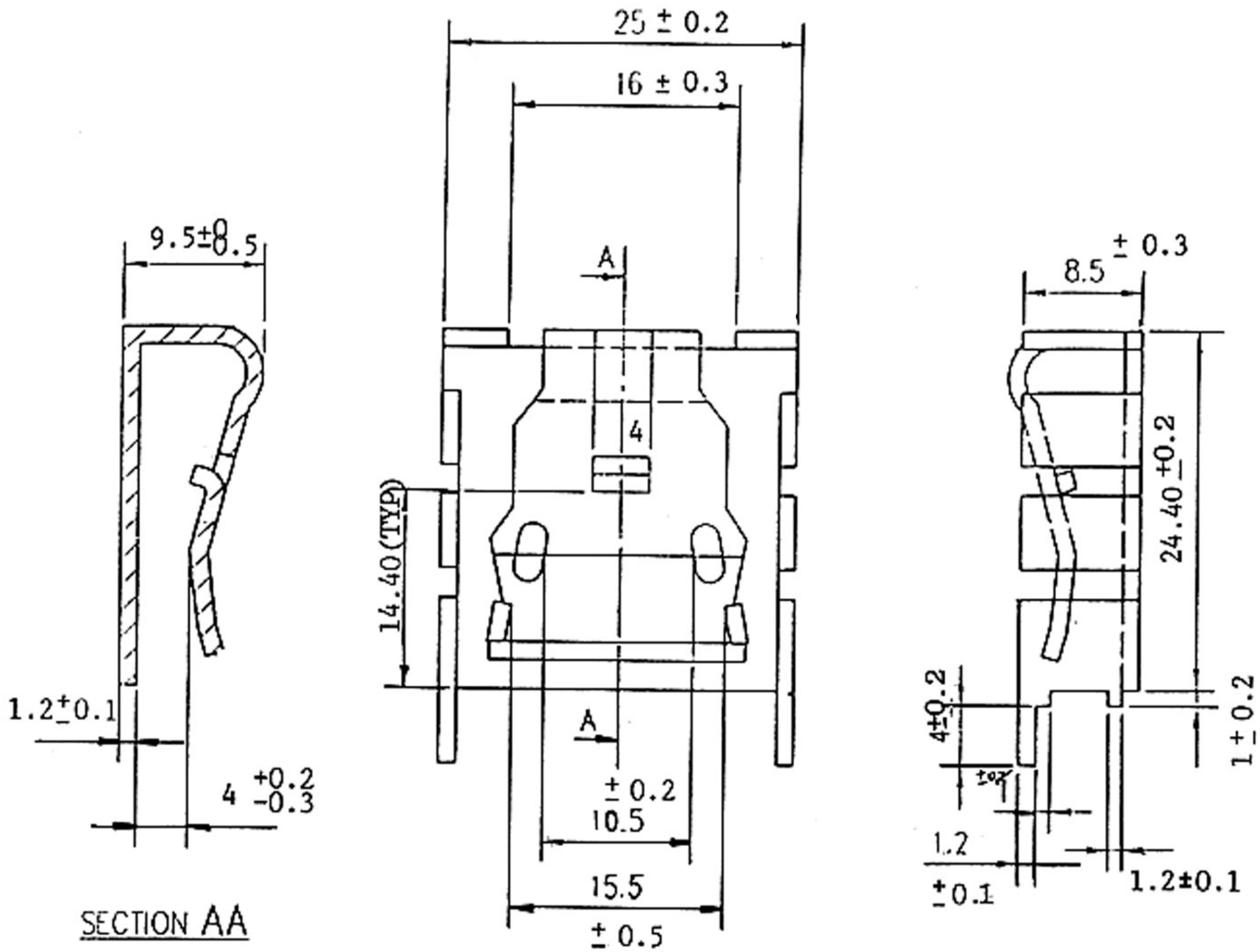


# FECOM

THIRD ANGLE  
PROJECTION



REMOVE ALL BURRS &  
SHARP EDGES



BK-T220-0085-02C	CLEAN
BK-T220-0085-02A	ANODIZED BLACK
BK-T220-0085-02T	TIN-PLATED

MATERIAL: AL5052

HEAT SINK

FECOM P/N: FE-T220-0085-02X