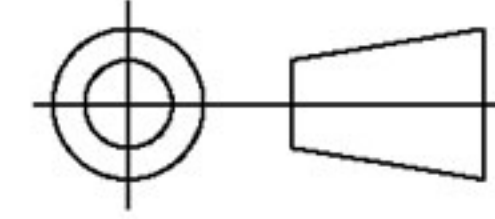
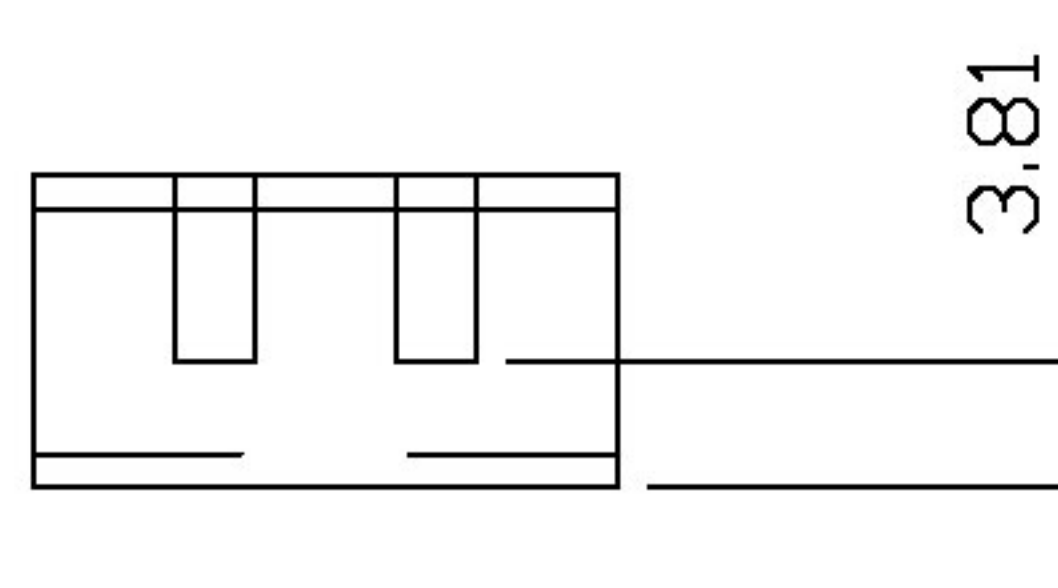
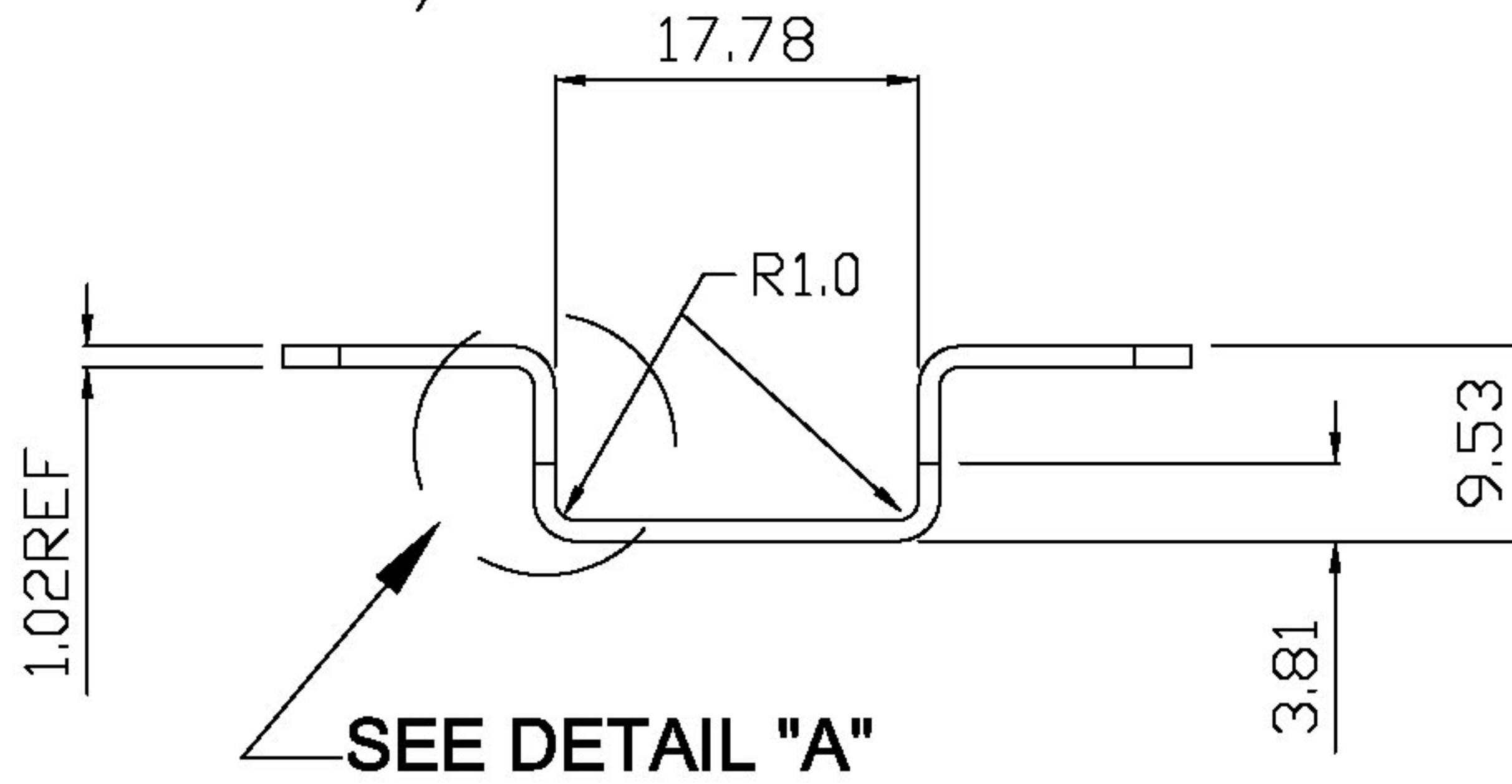
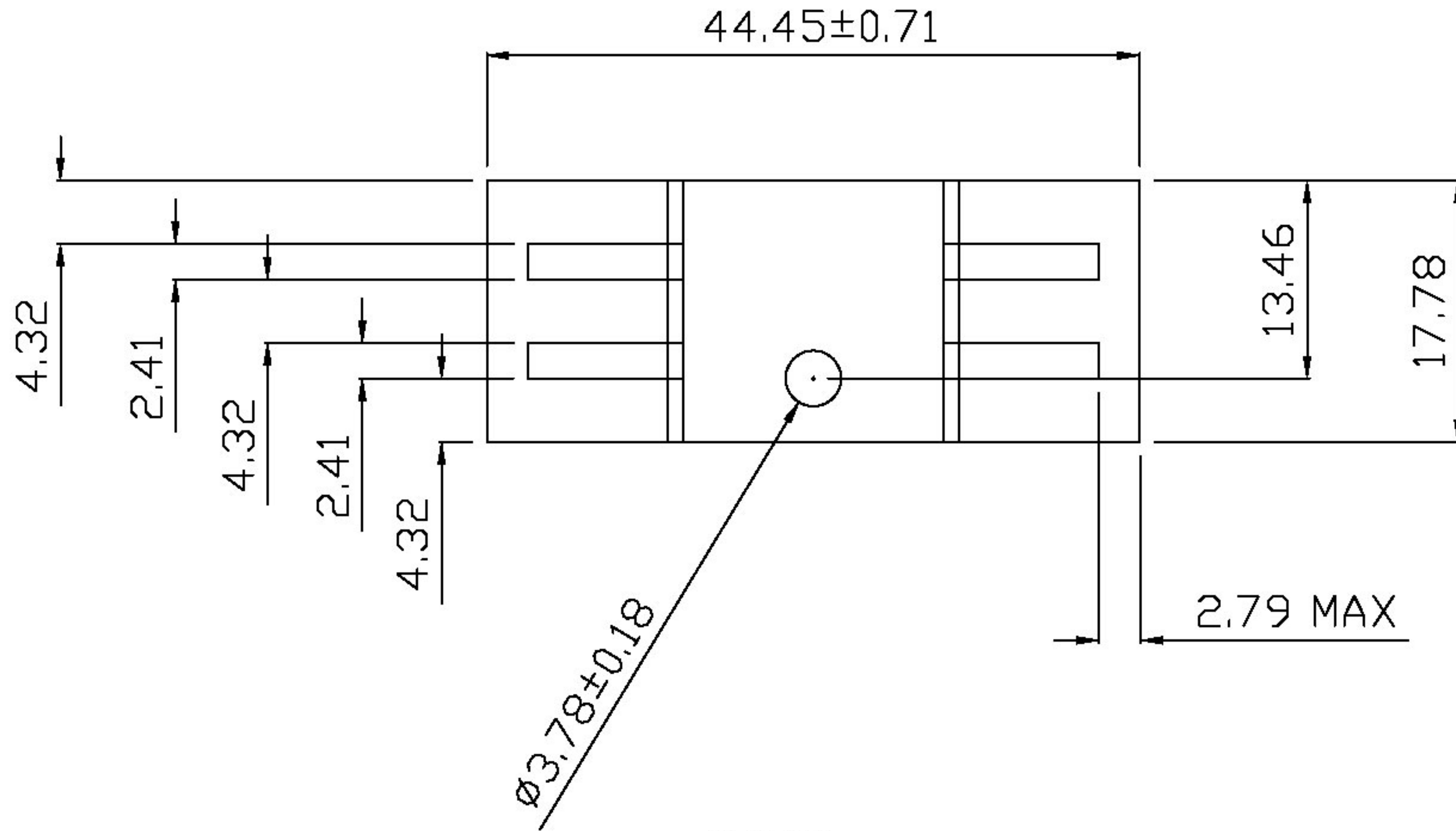


FECOM

THIRD ANGLE
PROJECTION



REMOVE ALL BURRS
& SHARP EDGES



DETAIL "A"

TOLERANCE
UNIT ±0.5
.0 ±0.
.00 ±0.0
.000 ±0.00

MATERIAL: AL 1100

FINISH: BLACK ANODIZE

HEAT SINK

FECOM P/N: FE-T220-0082