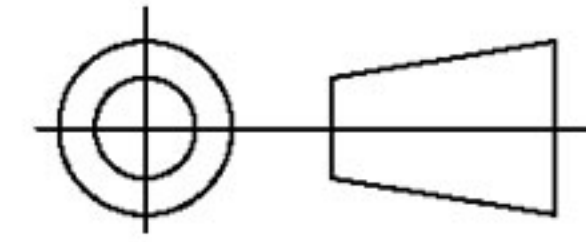
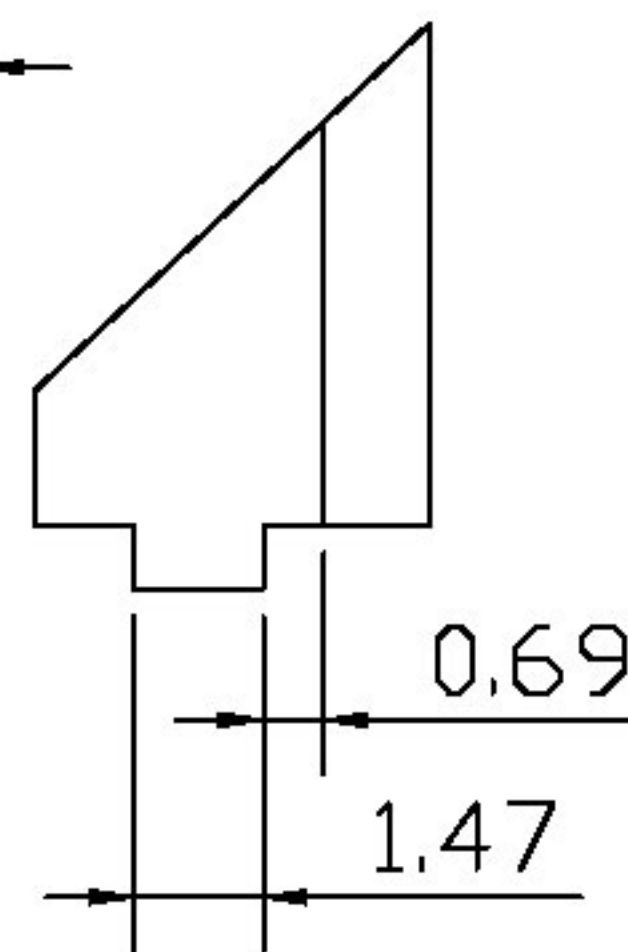
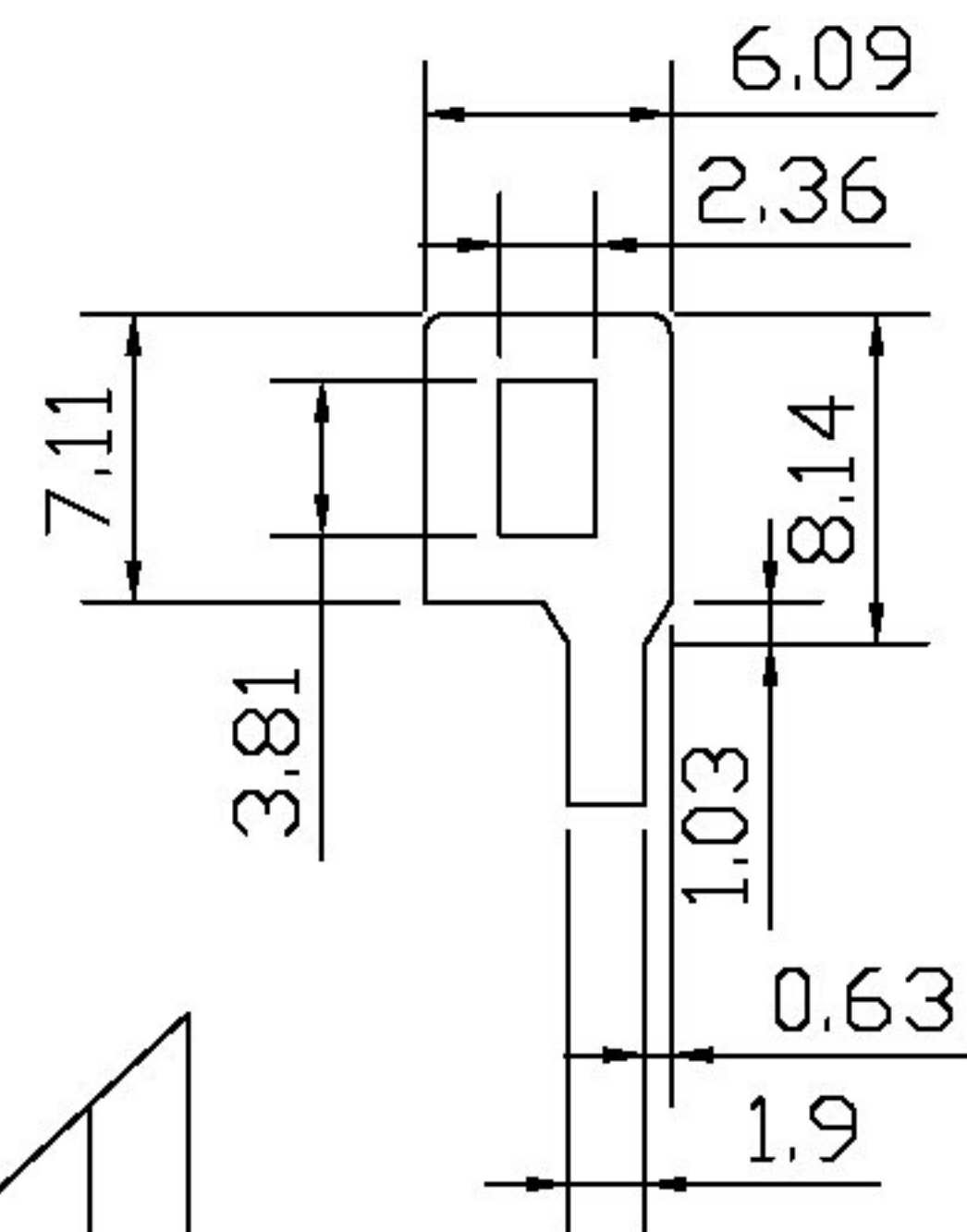
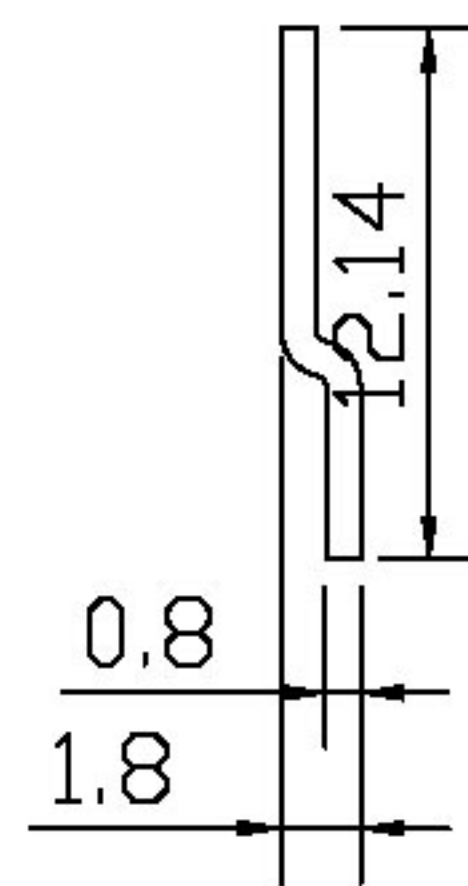
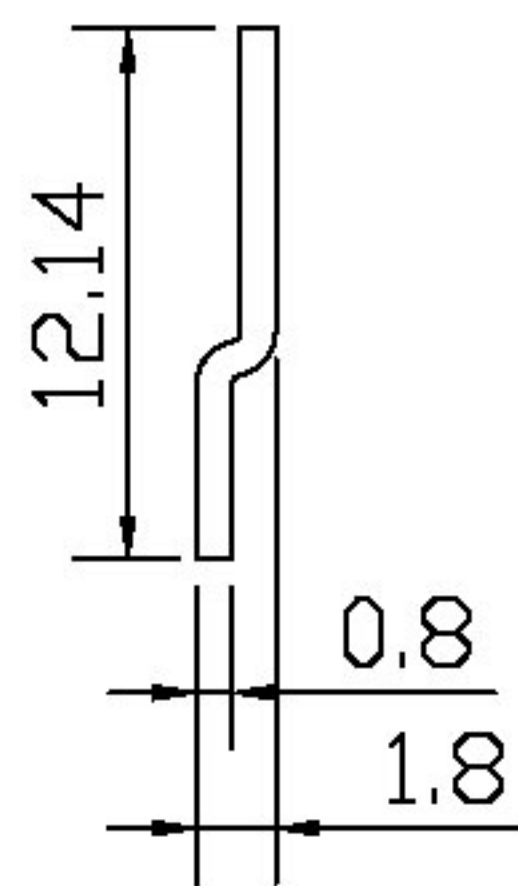
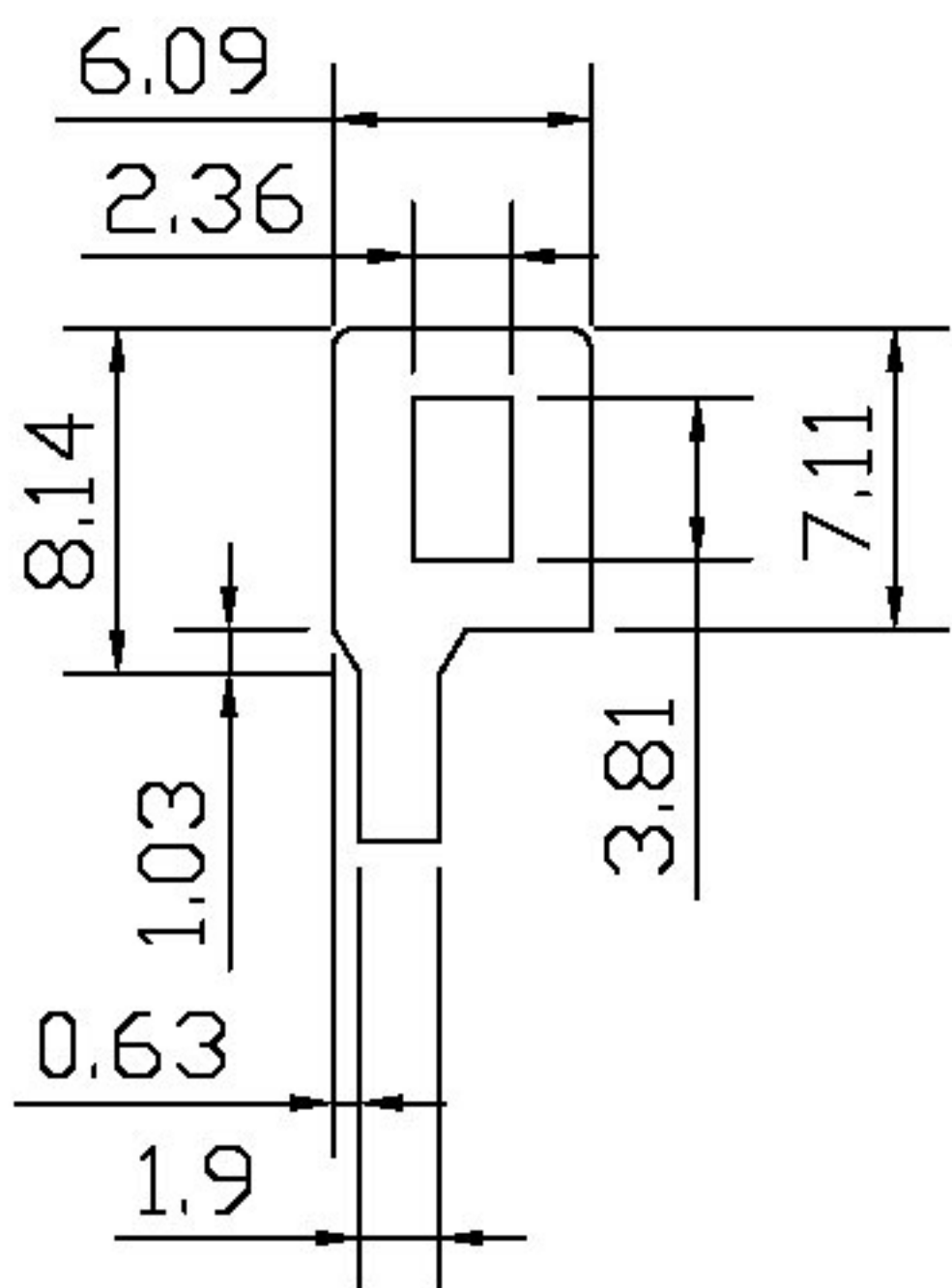
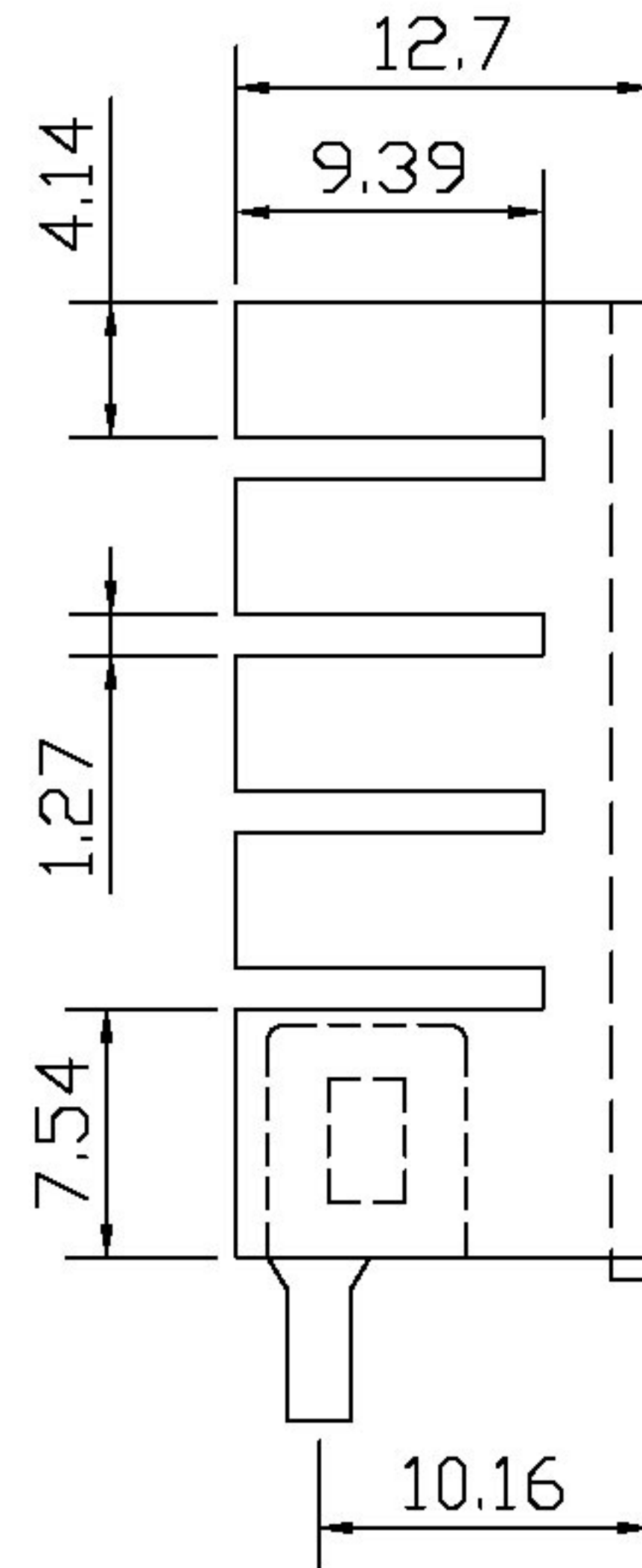
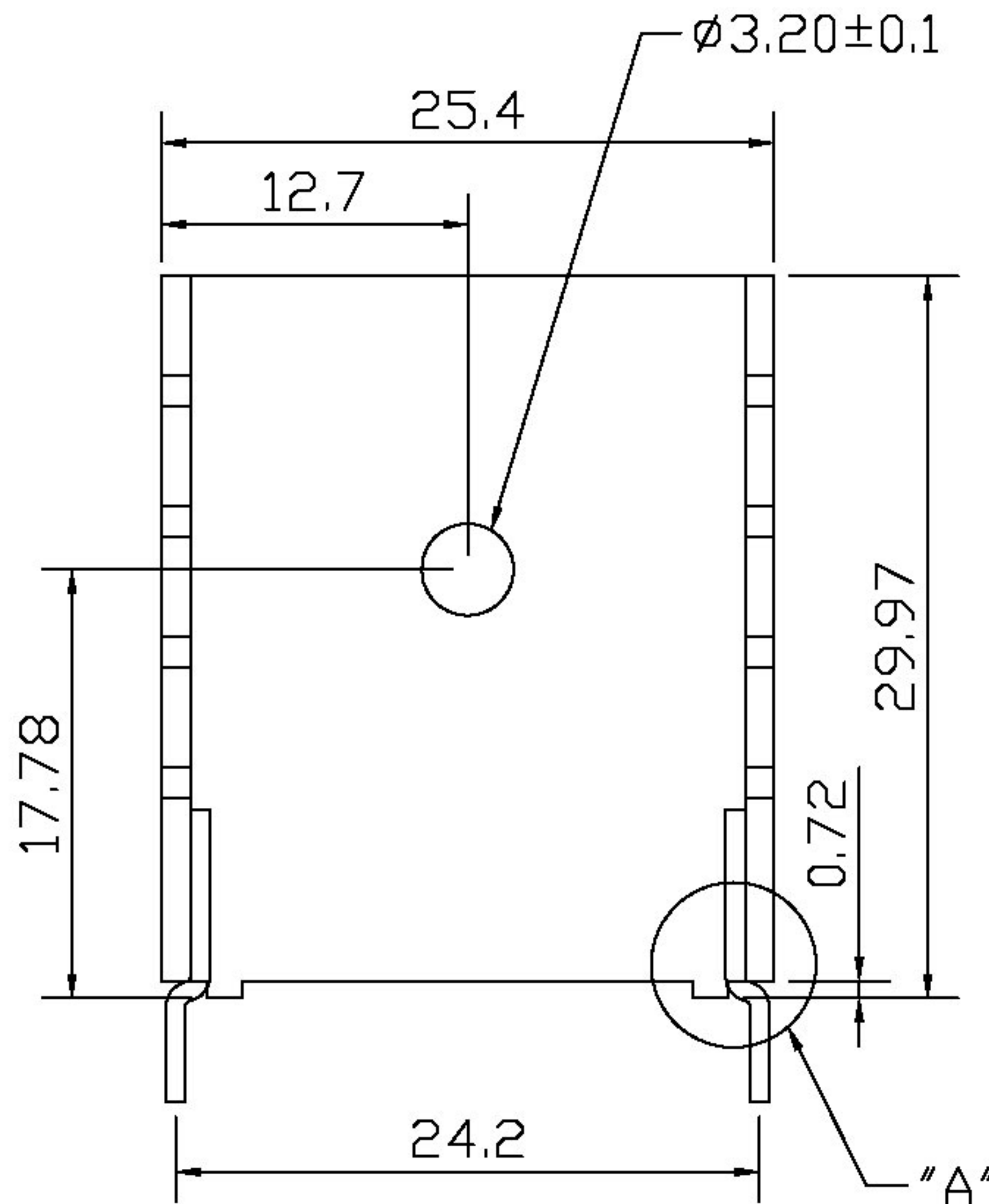


# FECOM

THIRD ANGLE  
PROJECTION



REMOVE ALL BURRS  
& SHARP EDGES



"A" 2:1

TOLERANCE  
UNIT  $\pm 0.5$   
.0  $\pm 0.$   
.00  $\pm 0.0$   
.000  $\pm 0.00$

MATERIAL: AL 1100

FINISH: BLACK ANODIZE

HEAT SINK

FECOM P/N: FE-T220-0042-02