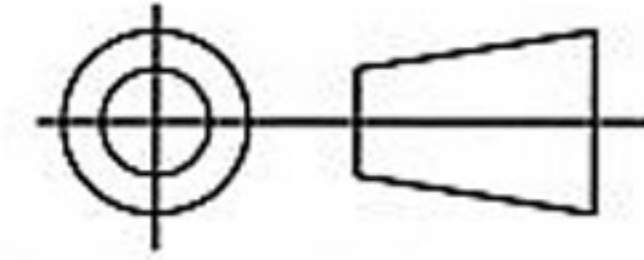
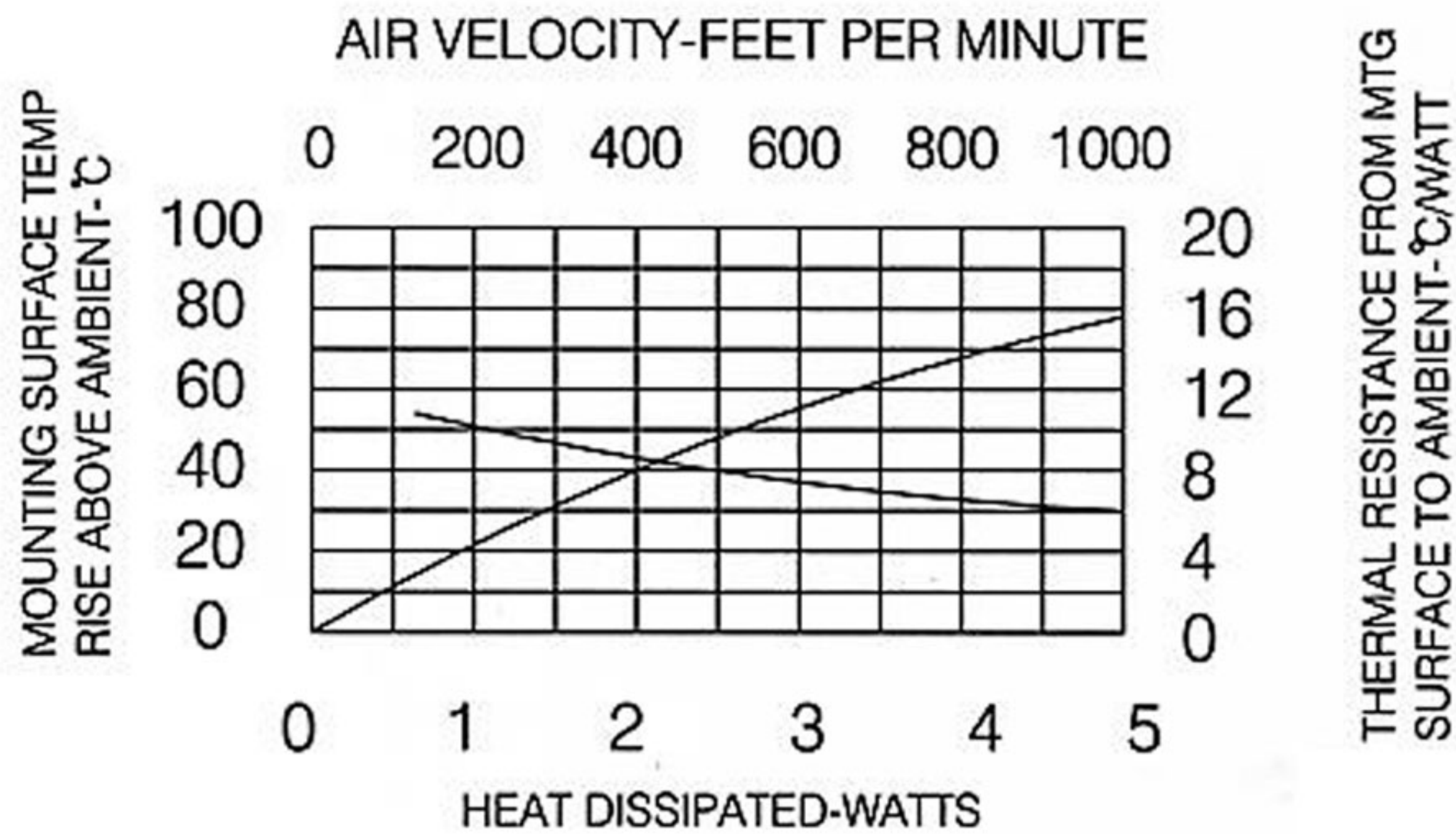
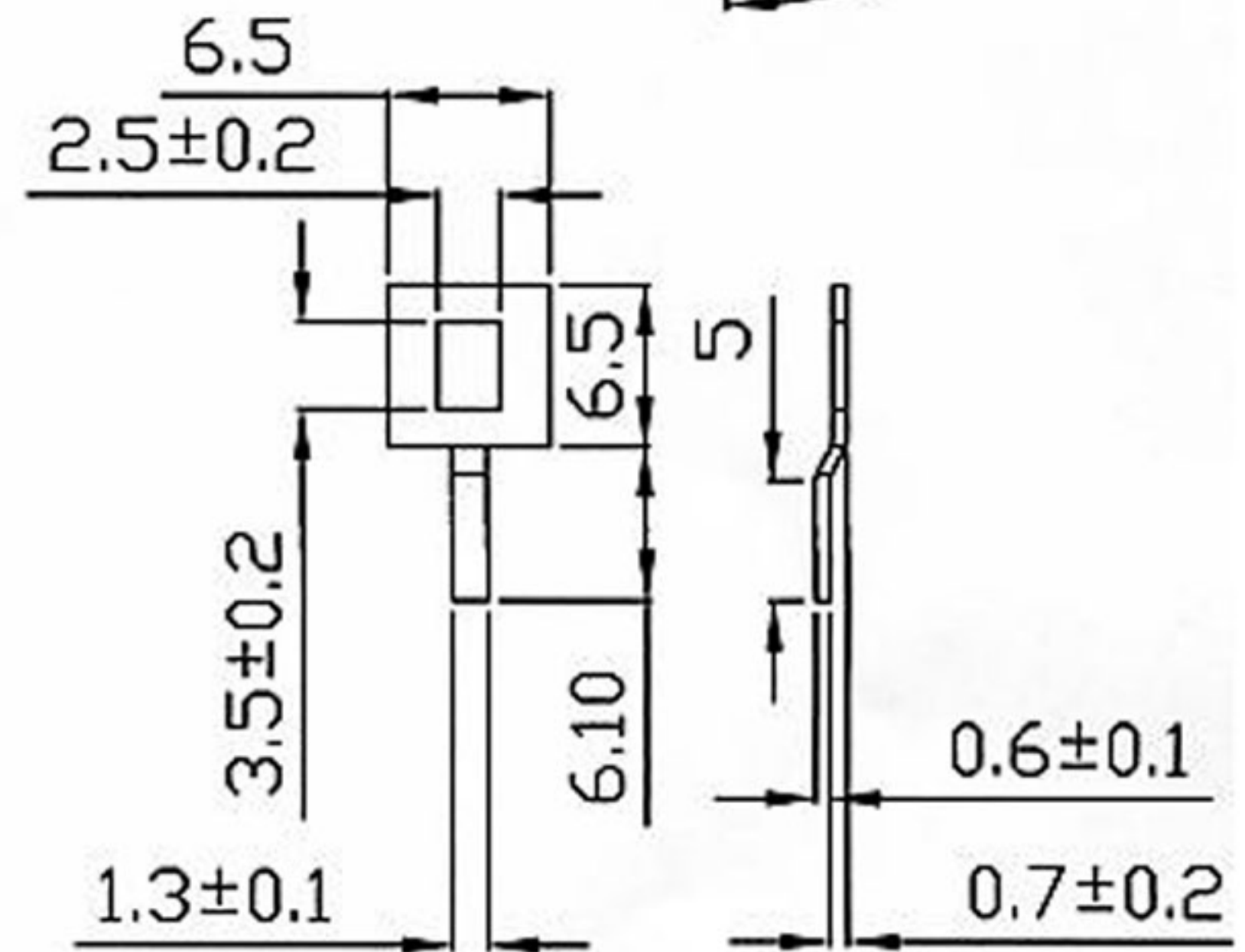
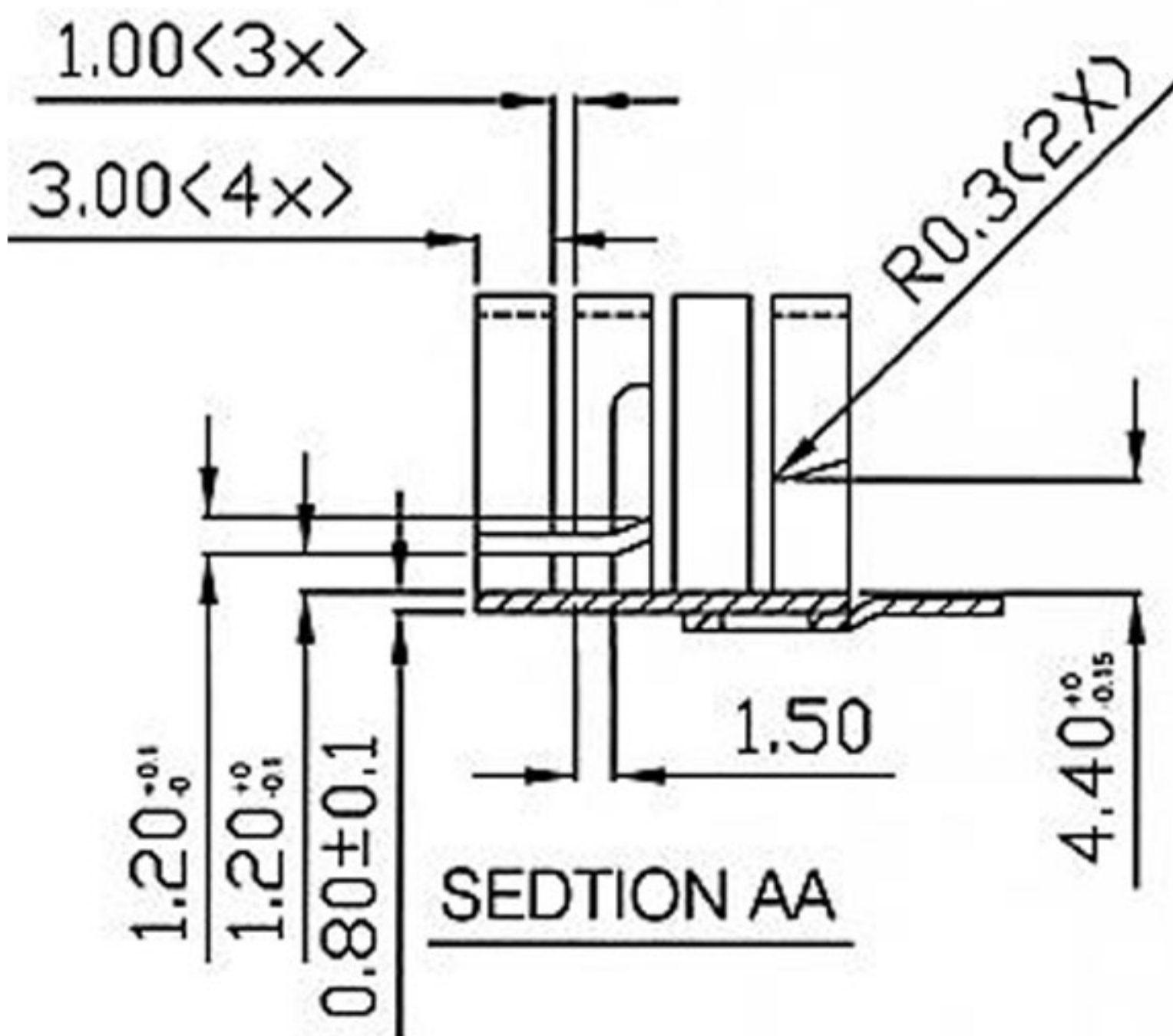
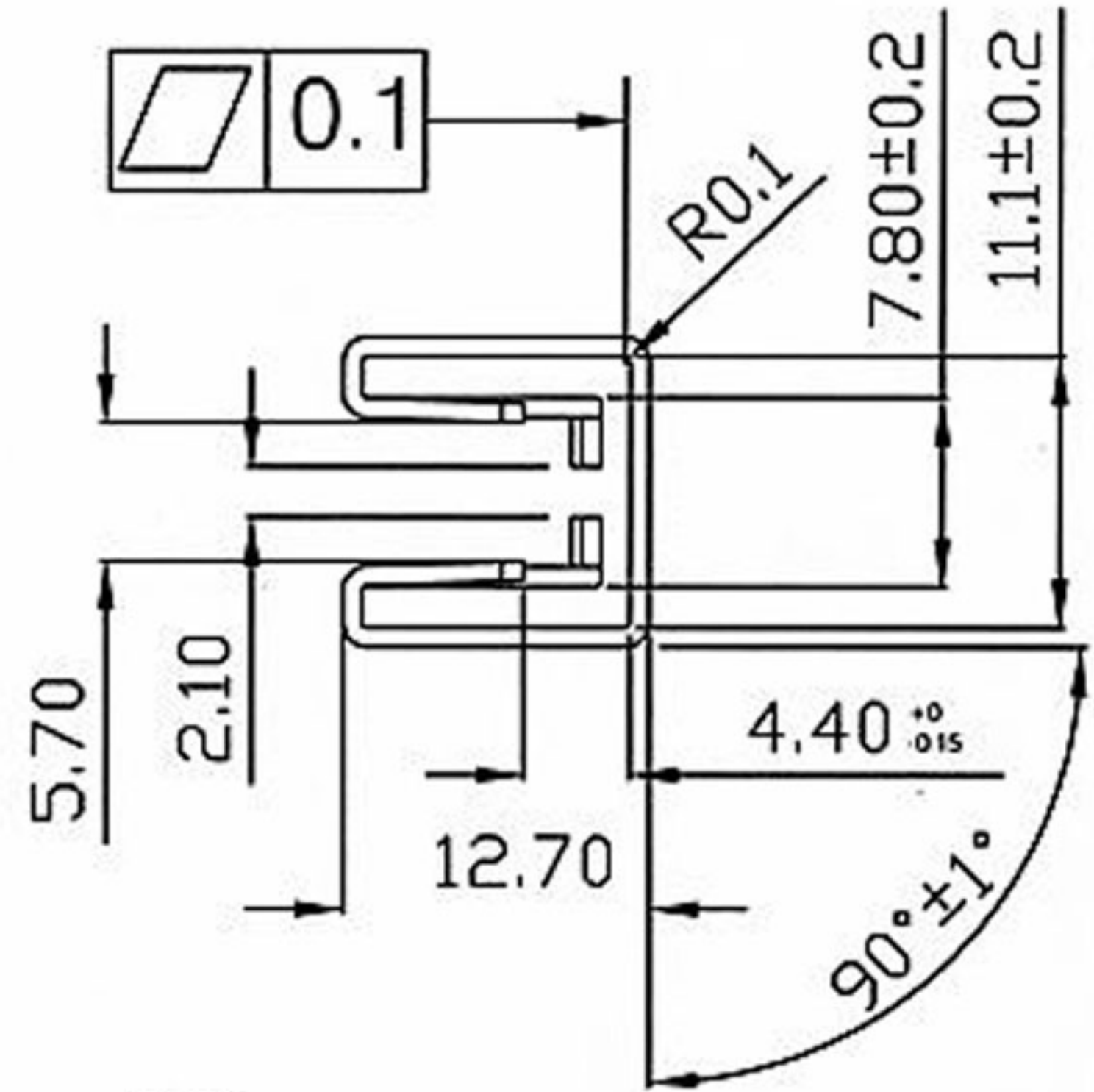
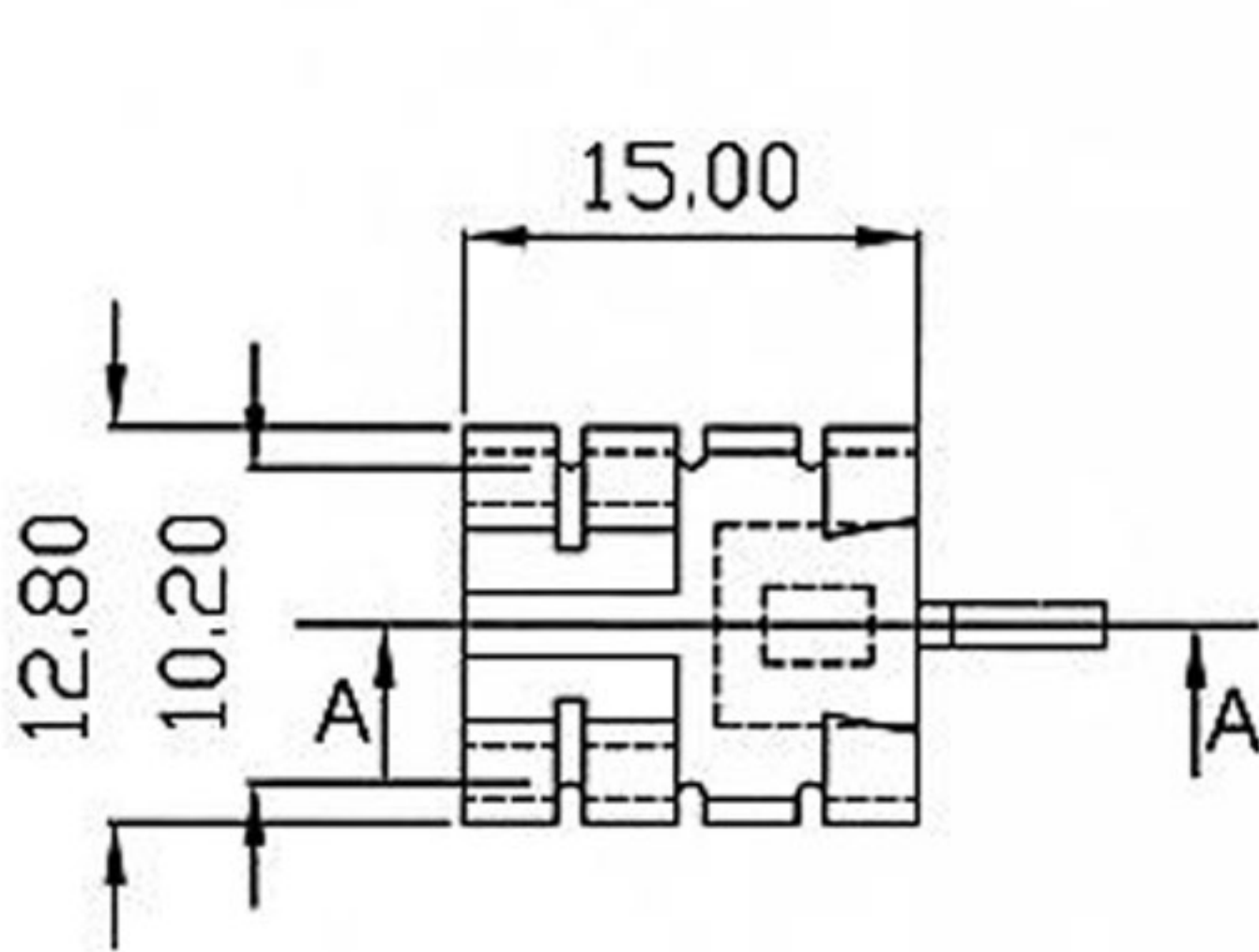


FECOM

THIRD ANGLE
PROJECTION



REMOVE ALL BURRS
& SHARP EDGES



TOLERANCE
UNIT ±0.5
.0 ±0.
.00 ±0.0
.000 ±0.00

MATERIAL: AL5052

FINISH: BLACK ANODIZE

HEAT SINK

FECOM P/N: FE-T220-0040-01