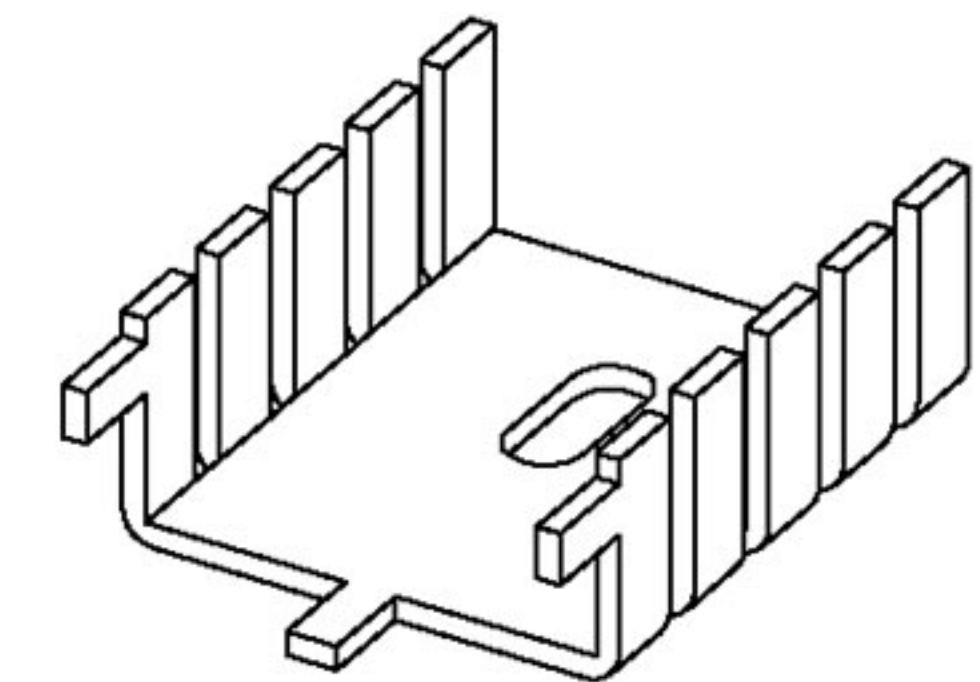


"A"



"B"

CODE	PART NO.
A	FE-T220-0039-03R
B	FE-T220-0039-03S

MATERIAL: ALUMINUM 1100

FINISH: BLACK ANODIZE

FECOM P/N: FE-T220-0039-03R(S)