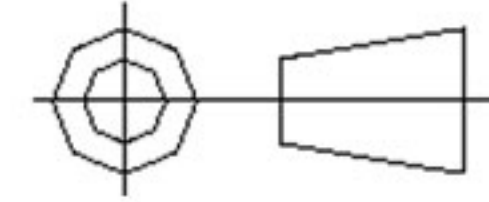
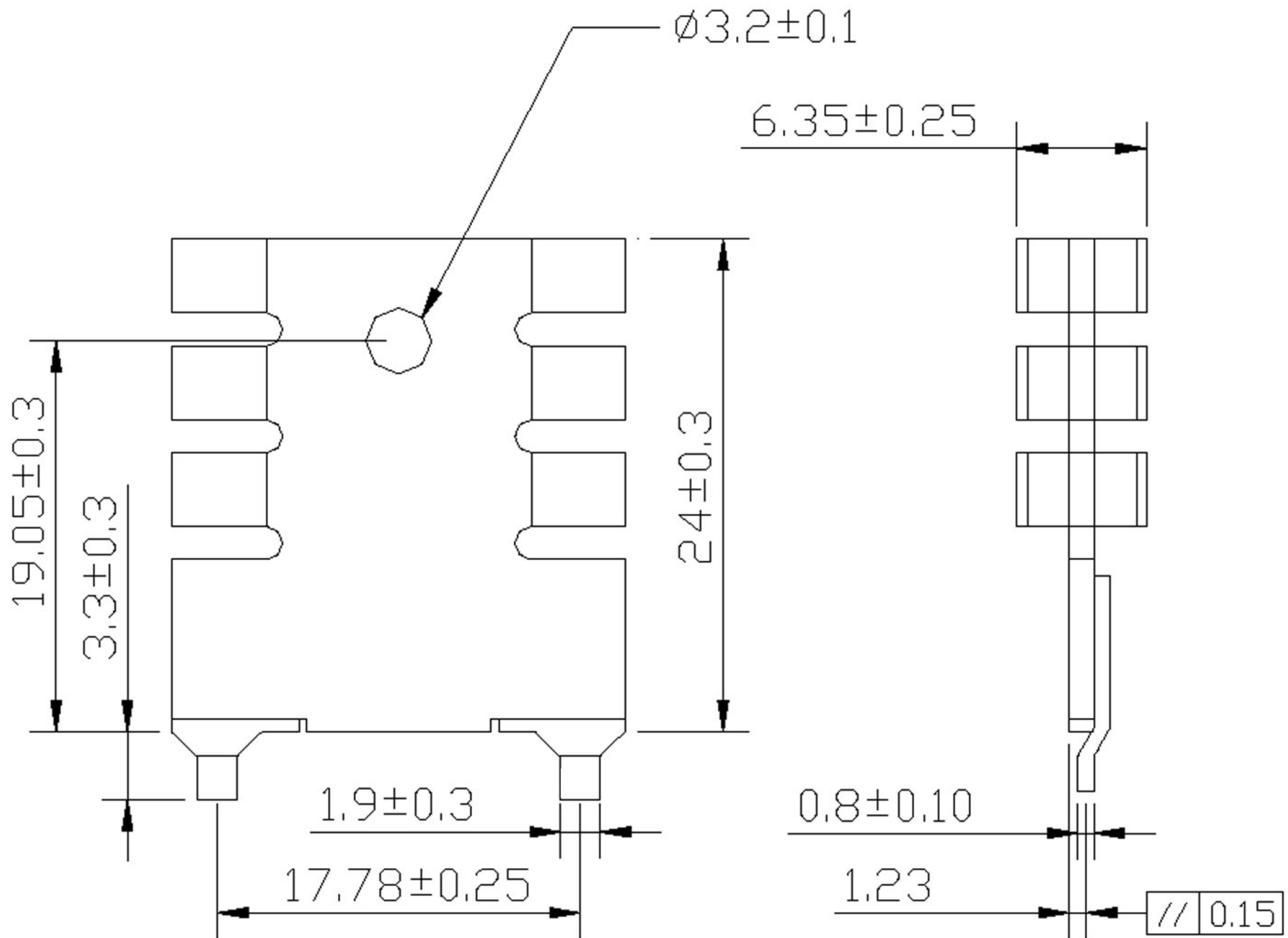
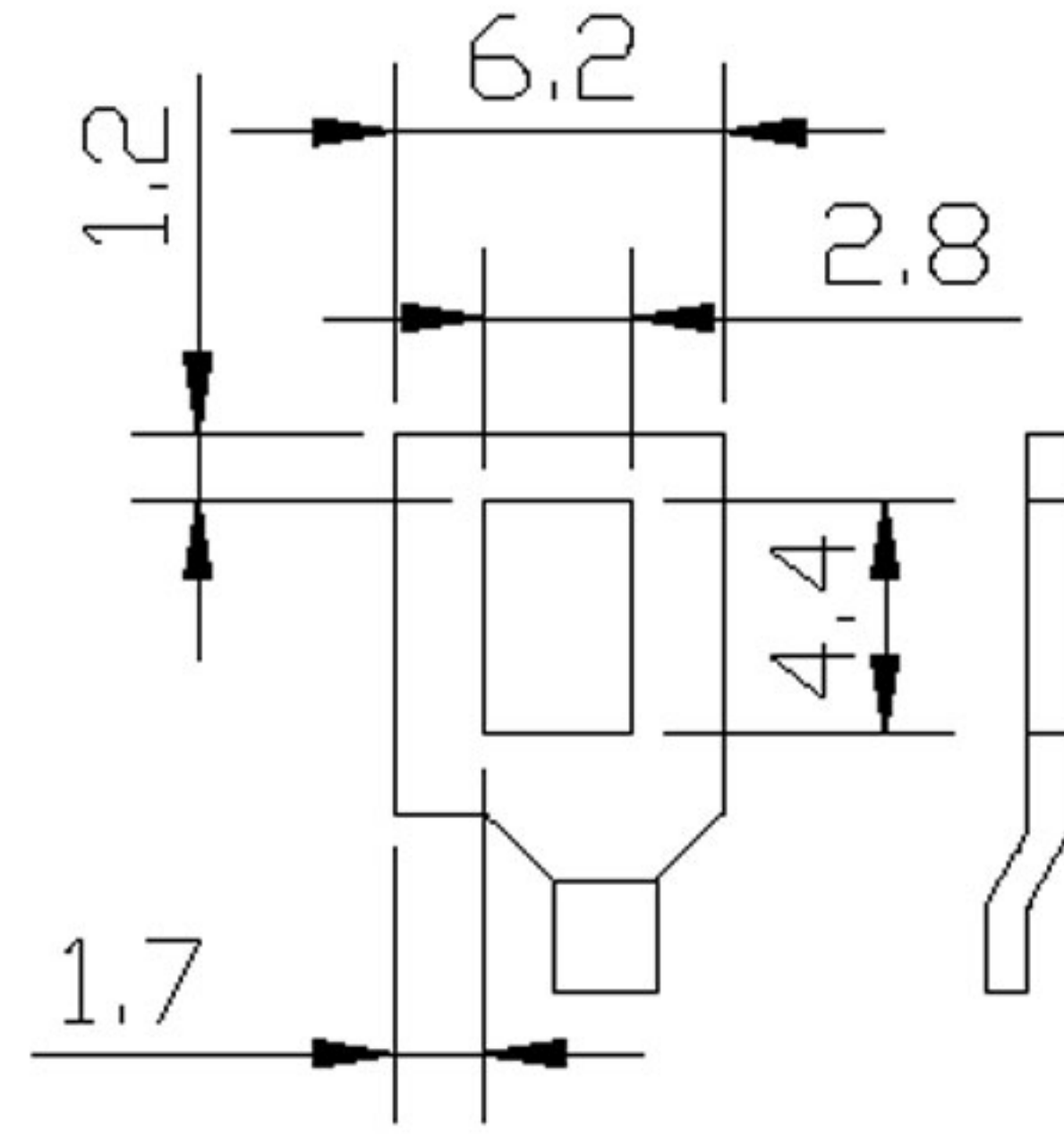
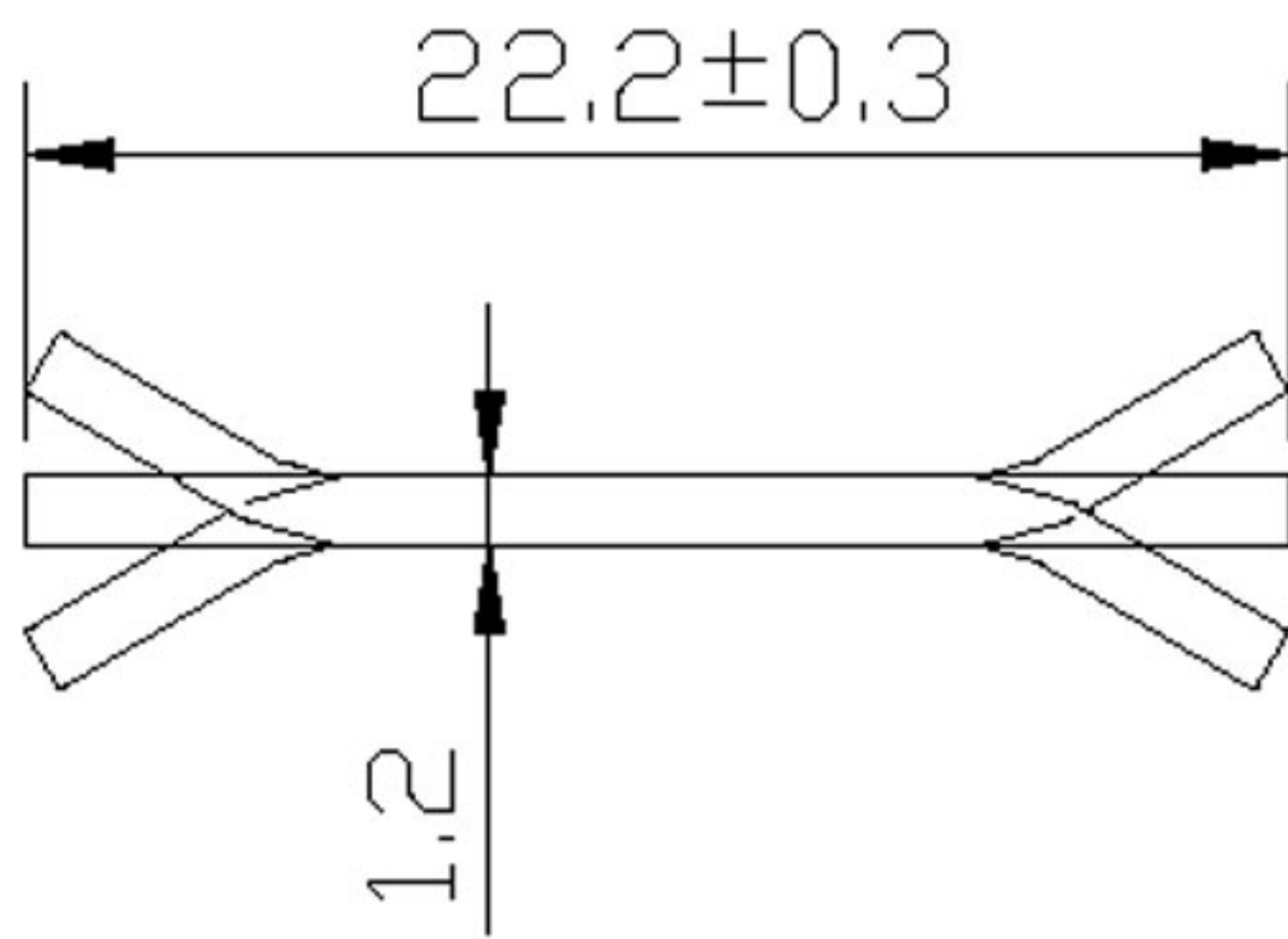


FECOM

THIRD ANGLE
PROJECTION



REMOVE ALL BURRS
& SHARP EDGES



MATERIAL: AL6063-T5

FINISH: BLACK ANODIZE

HEAT SINK

FECOM P/N: FE-ALU-0115-001