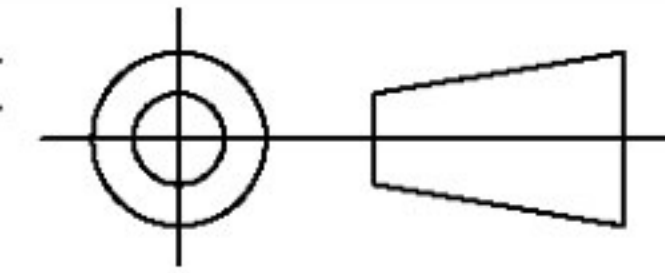
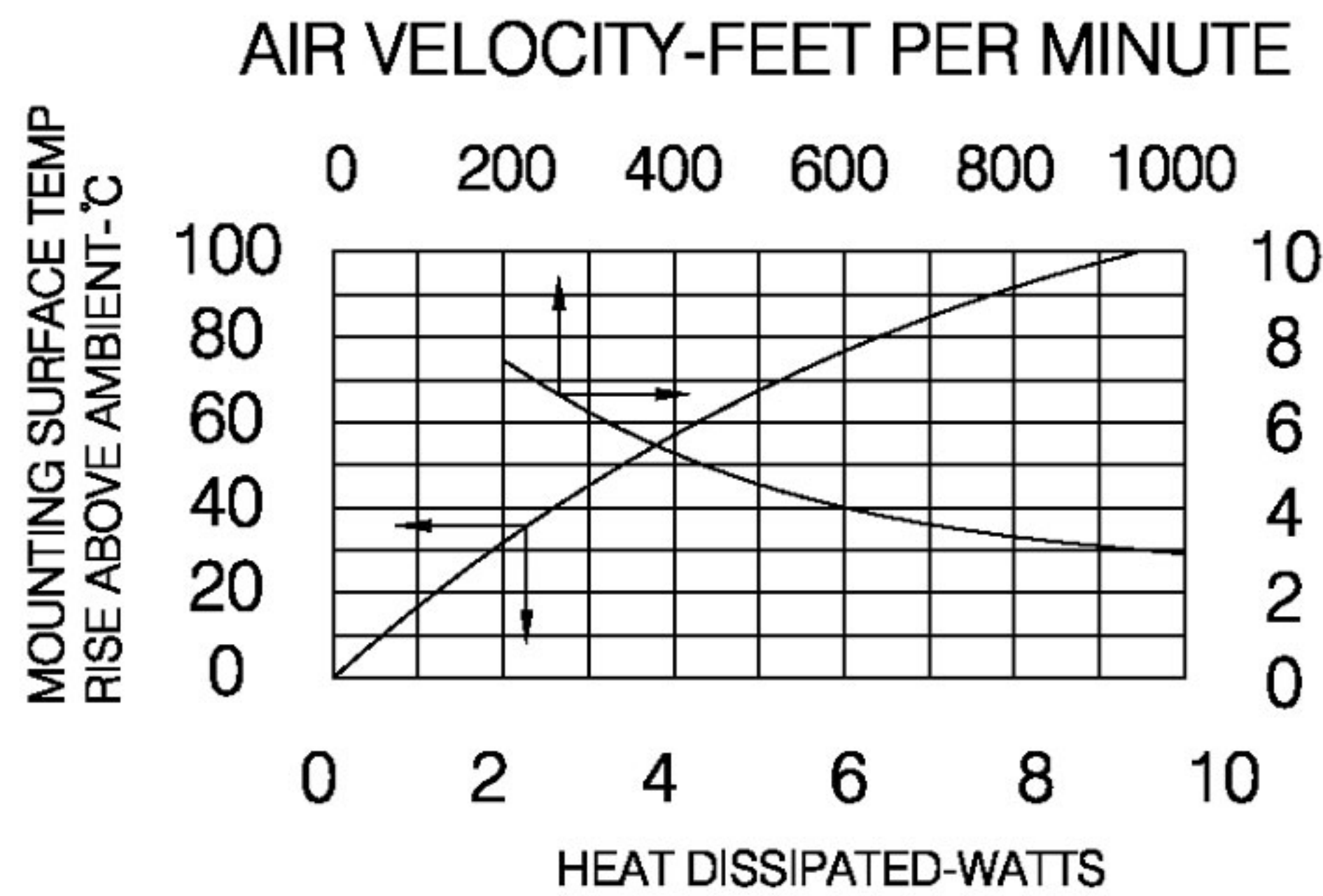
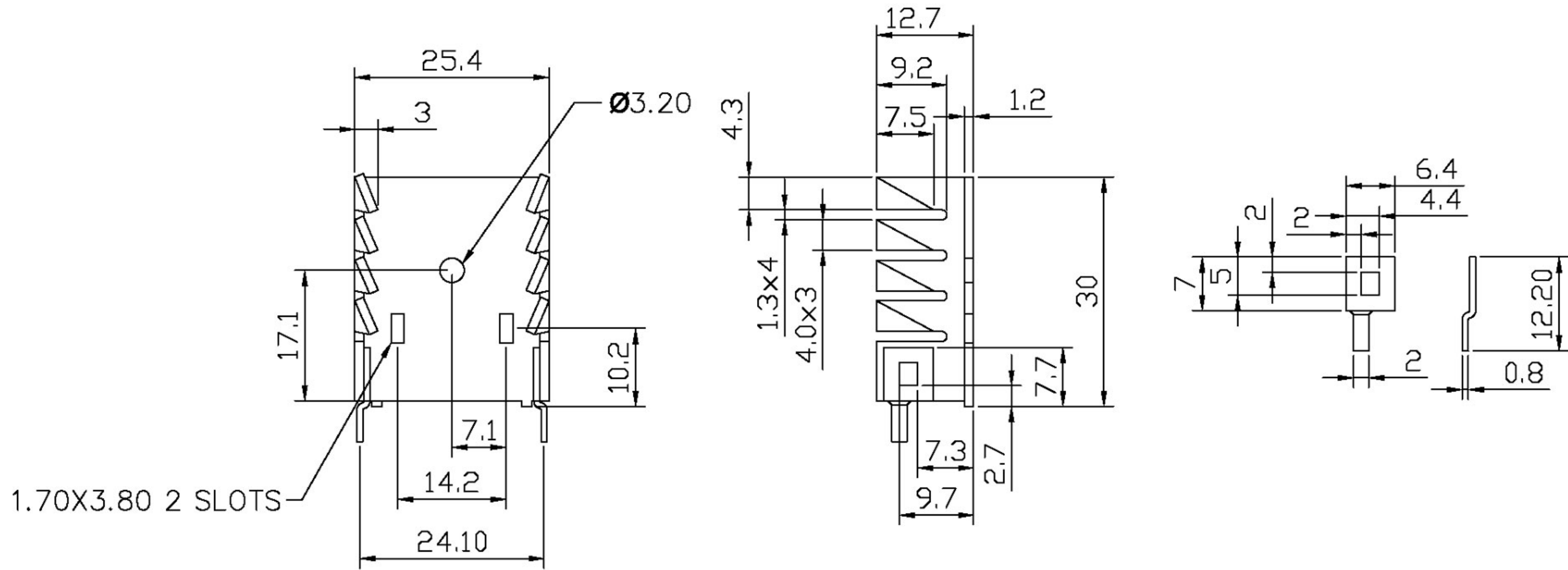


# FECOM

THIRD ANGLE  
PROJECTION



REMOVE ALL BURRS  
& SHARP EDGES



THERMAL RESISTANCE FROM MTG SURFACE TO AMBIENT-°C/WATT

MATERIAL: AL6063-T5

FINISH: DEGREASE

FECOM P/N: FE-ALU-0096-003