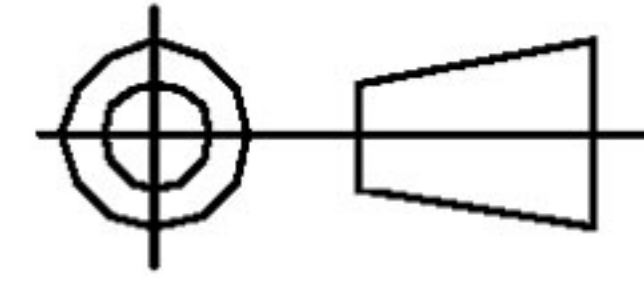
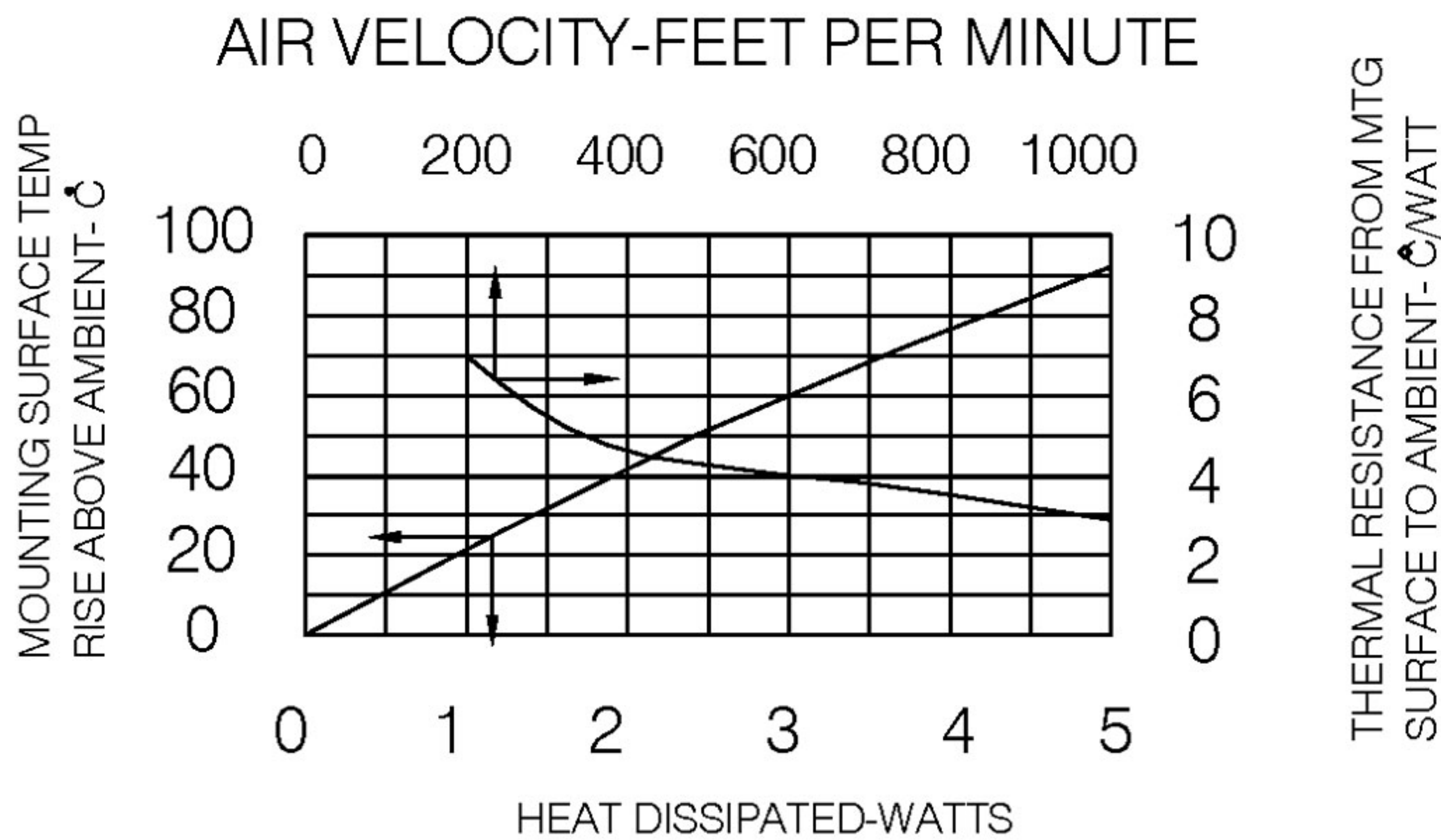
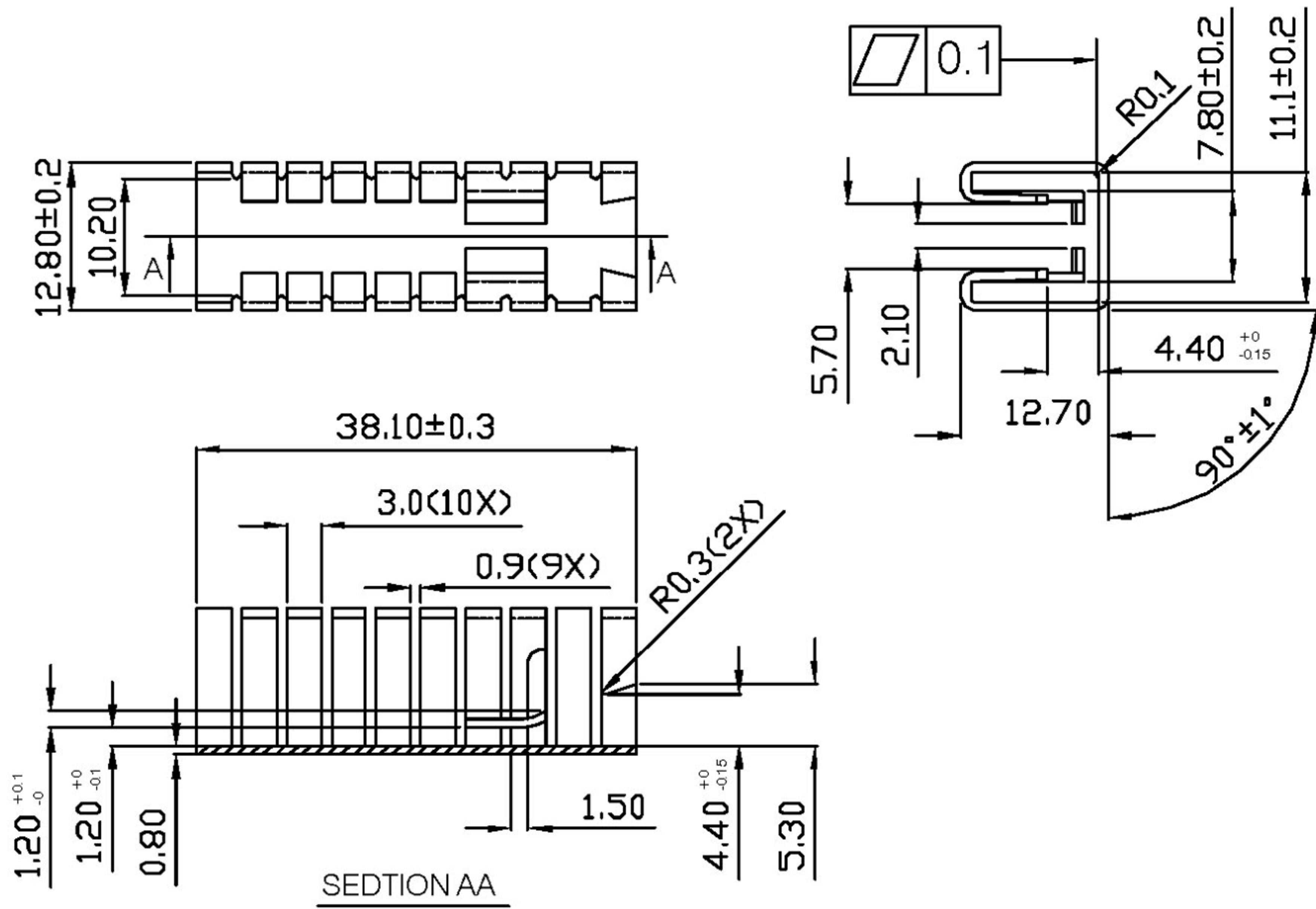


# FECOM

THIRD ANGLE  
PROJECTION



REMOVE ALL BURRS  
& SHARP EDGES



TOLERANCE  
UNIT  $\pm 0.5$   
.0  $\pm 0.$   
.00  $\pm 0.0$   
.000  $\pm 0.00$

MATERIAL: AL5052

FINISH: BLACK ANODIZE

HEAT SINK

FECOM P/N: FE-ALU-0004-003