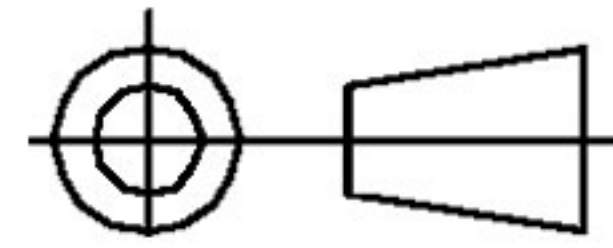
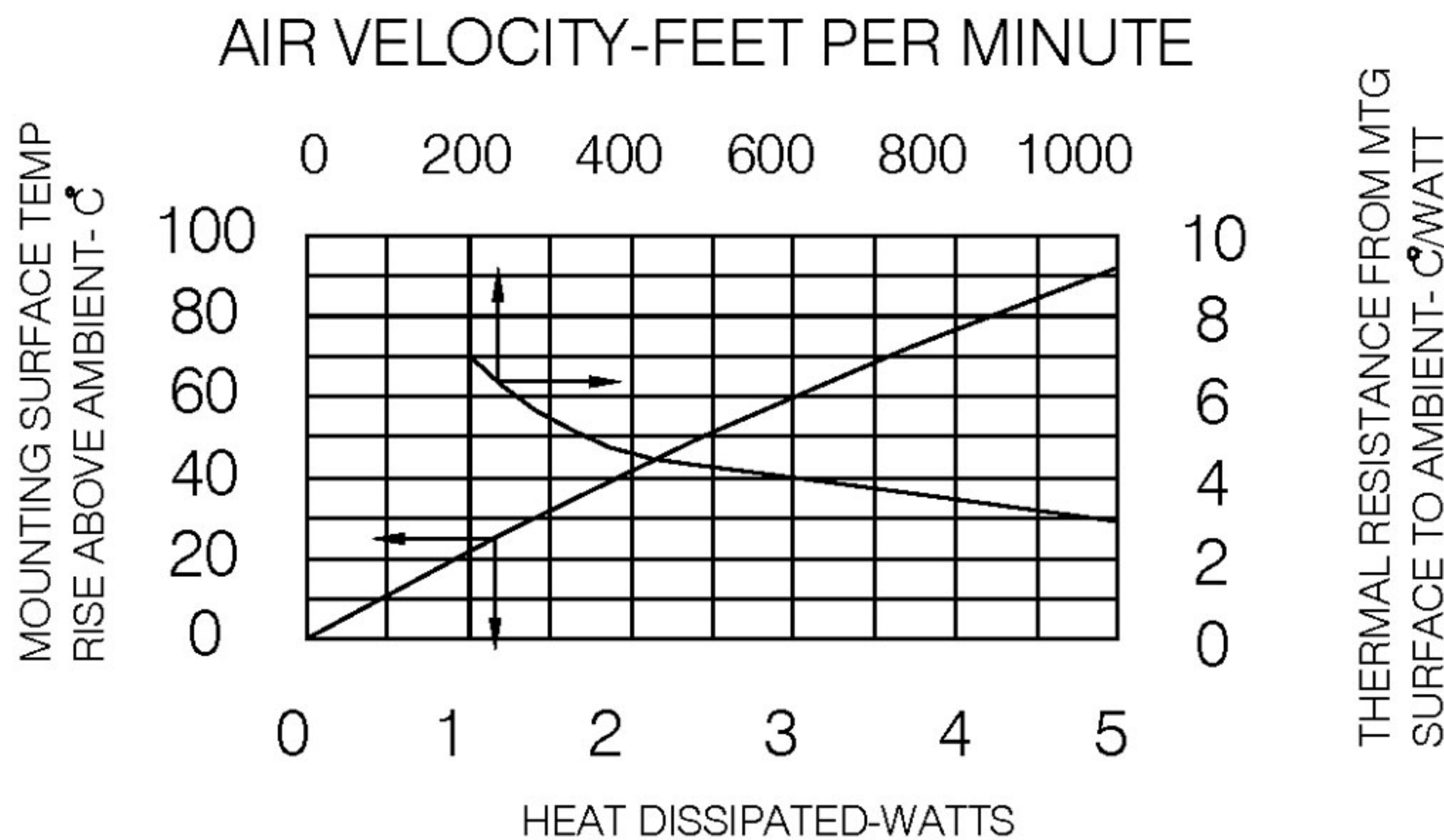
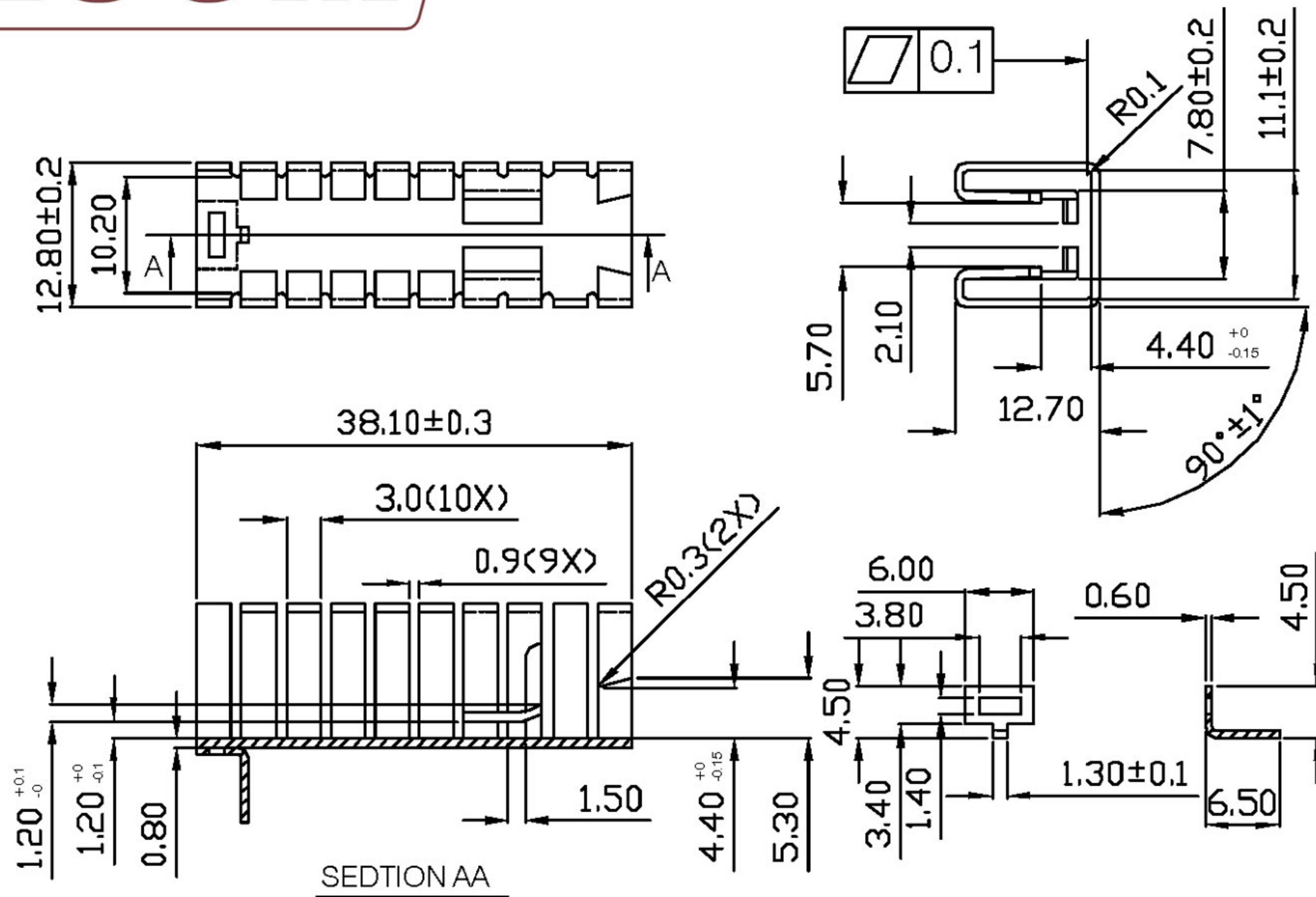


FECOM

THIRD ANGLE



REMOVE ALL BURRS & SHARP EDGES



TOLERANCE
UNIT ± 0.5
.0 $\pm 0.$
.00 ± 0.0
.000 ± 0.00

MATERIAL: AL5052

FINISH: BLACK ANODIZE

HEAT SINK

FECOM P/N: FE-ALU-0004-002