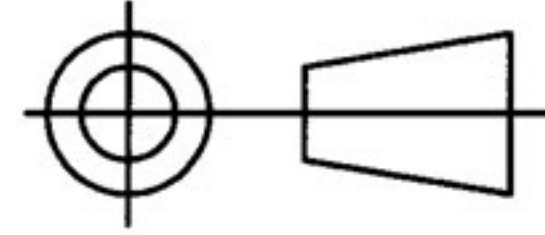
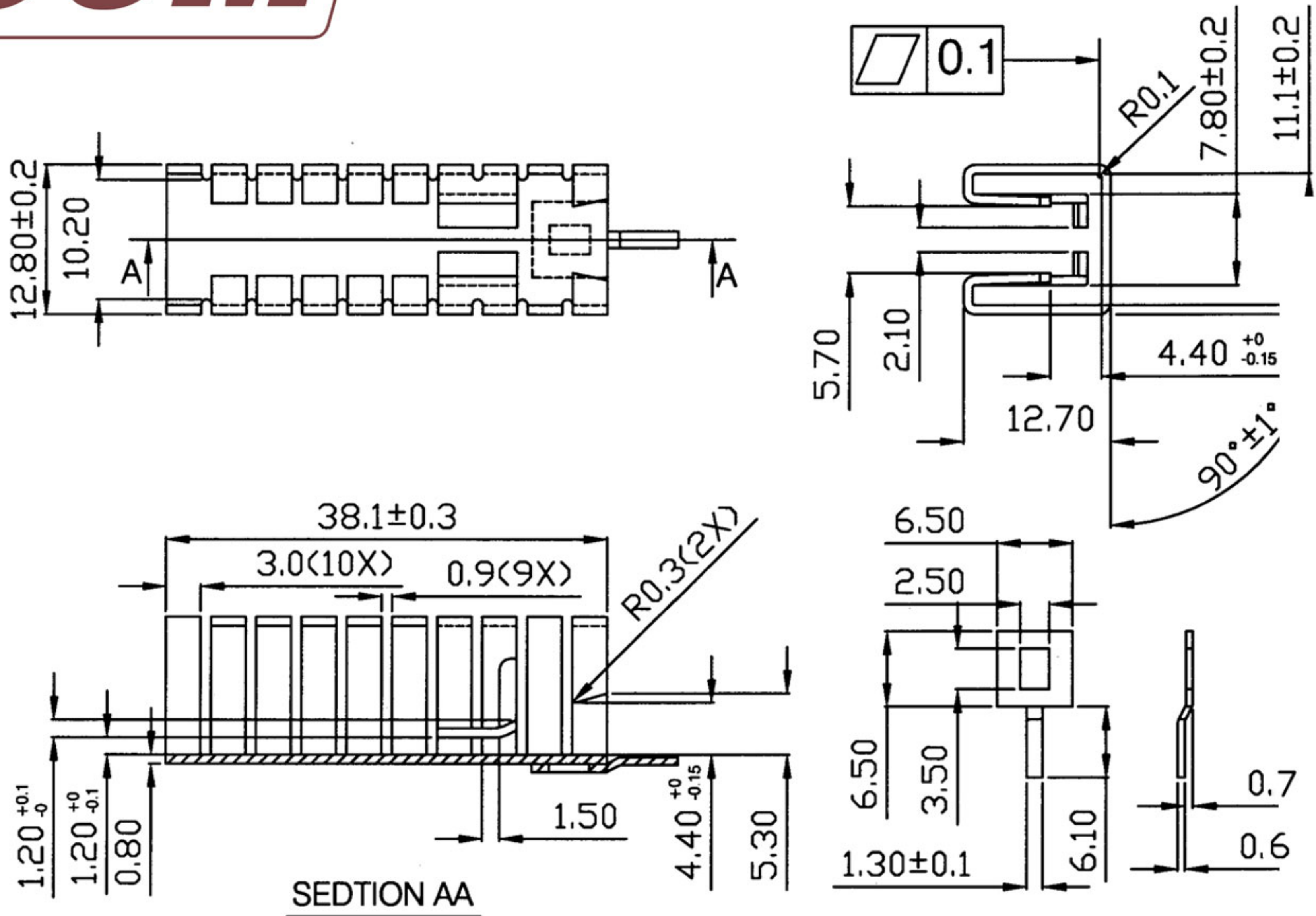


# FECOM

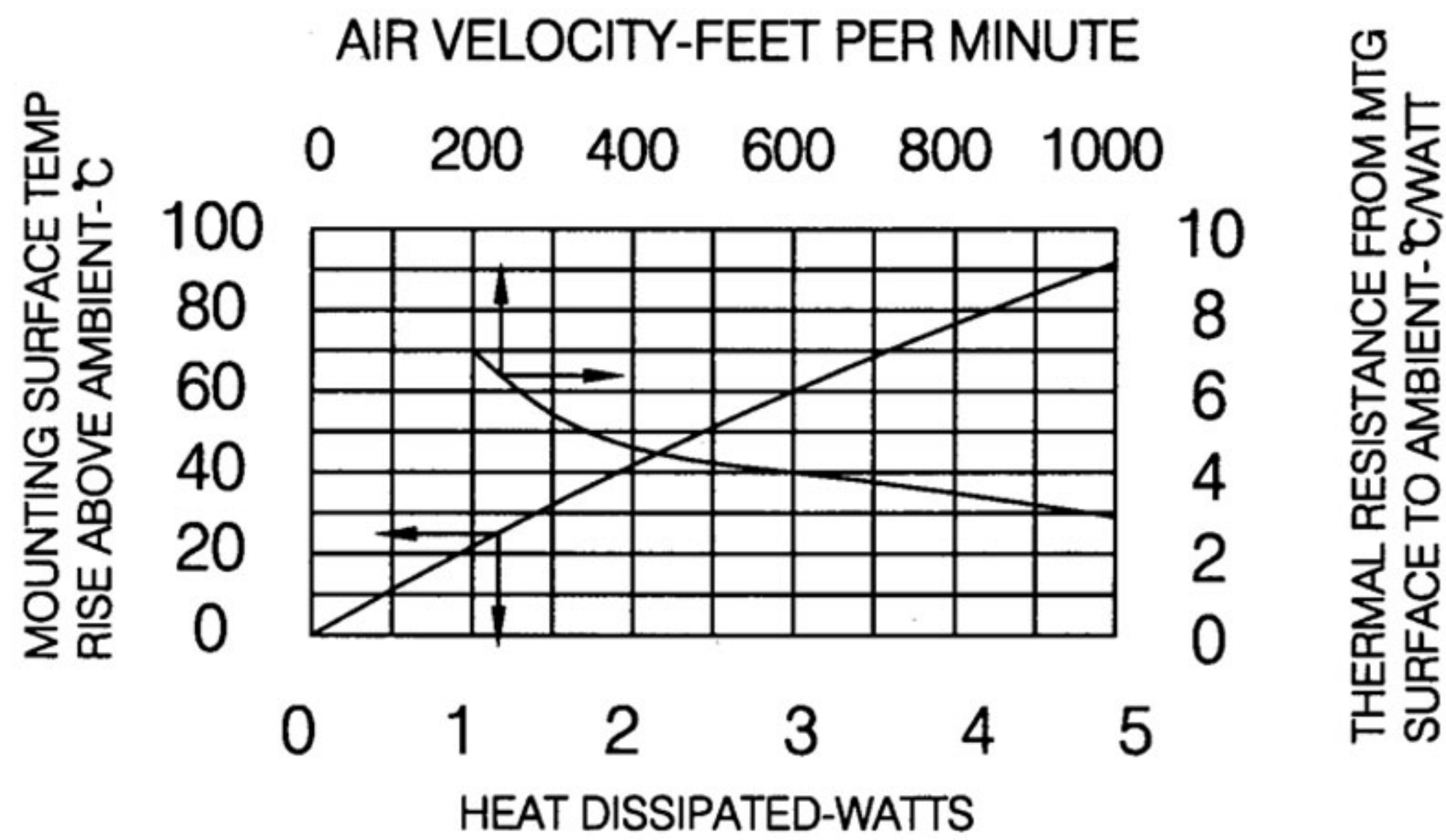
THIRD ANGLE  
PROJECTION



REMOVE ALL BURRS  
& SHARP EDGES



PIN  
MATERIAL: BRASS  
FINISH: TIN PLATED



TOLERANCE  
UNIT: ± 0.5  
.0 ± 0.  
.00 ± 0.0  
.000 ± 0.00

MATERIAL: AL5052

FINISH: BLACK ANODIZE

HEAT SINK

FECOM P/N: FE-ALU-0004-001