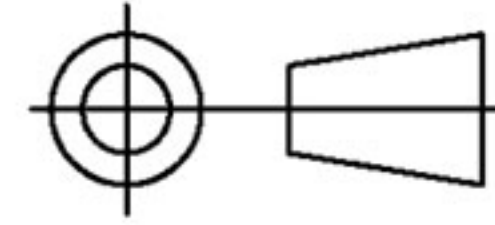
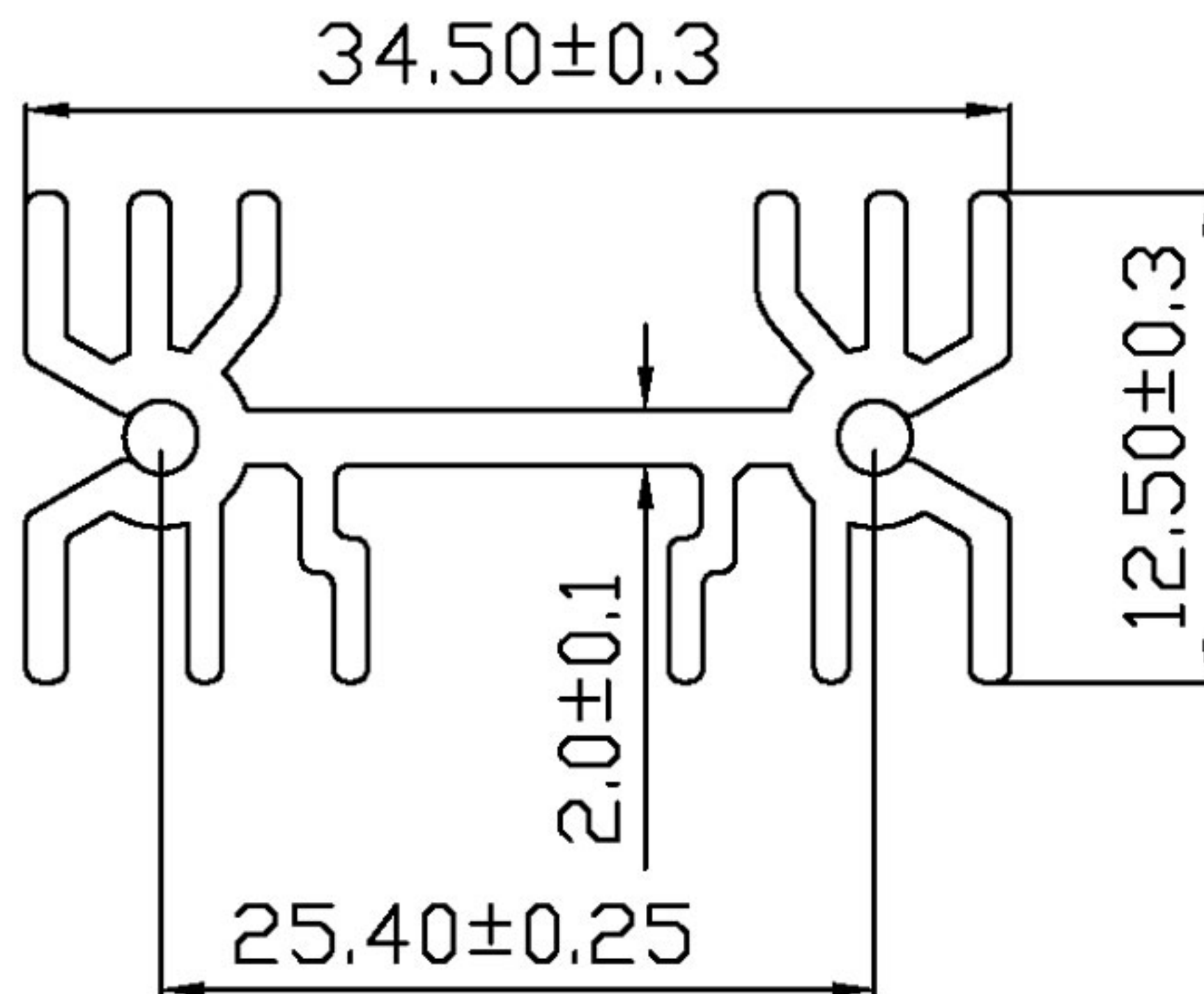
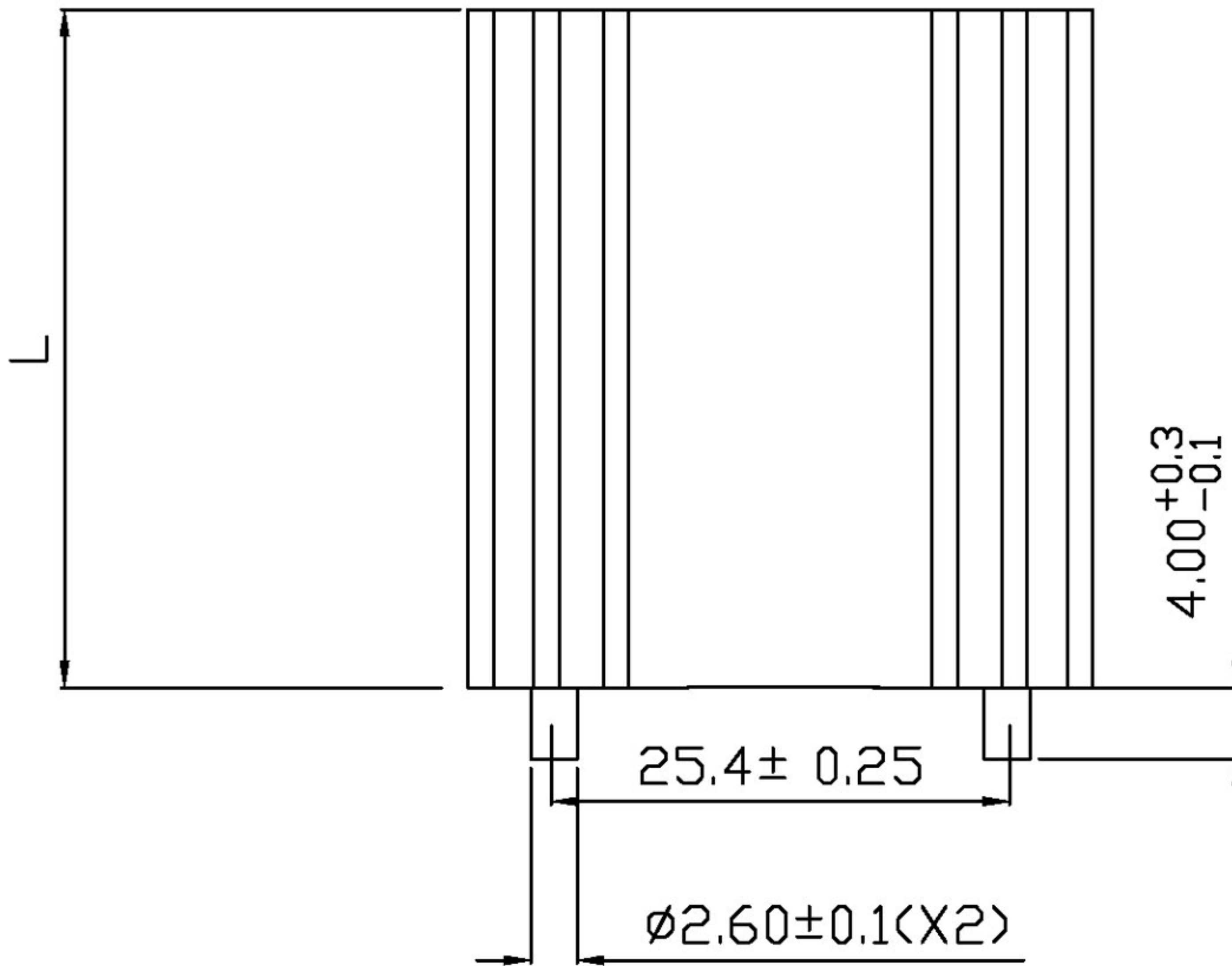


FECOM

THIRD ANGLE
PROJECTION



REMOVE ALL BURRS
& SHARP EDGES



CODE	L
-006	25
-007	38
-008	50
-009	63
-010	19

MATERIAL: AL6063-T5

FINISH: BLACK ANODIZE

HEAT SINK

FECOM P/N: FE-T220-0087-00X