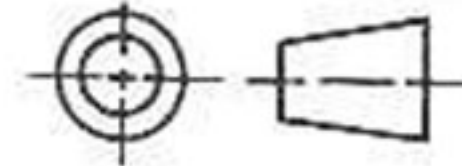
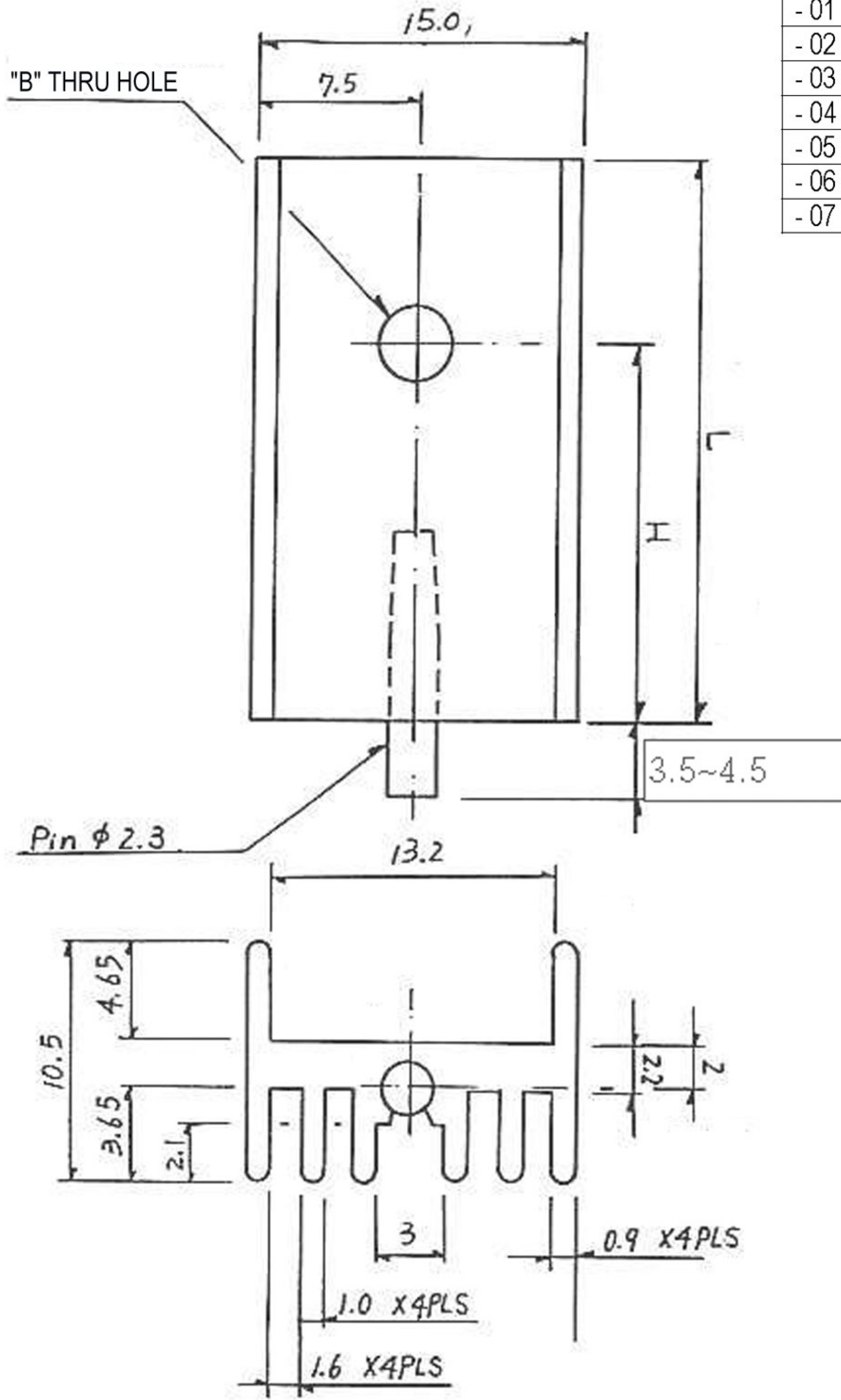


FECOM

THIRD ANGLE
PROJECTION



REMOVE ALL BURRS &
SHARP EDGES



	L	H	B	COLOR
- 01	25	19	Ø3	BLACK
- 02	25	17	Ø3	BLACK
- 03	50	17	Ø3	BLACK
- 04	25	17	M3	GOLD
- 05	25	19	M3	CLEAN
- 06	25	18	M3	BLACK
- 07	50	17	M3	BLACK

MATERIAL: AL6063-T5

FINISH: - ANODIZE

HEAT SINK

FECOM P/N: FE-T220-0032-0X