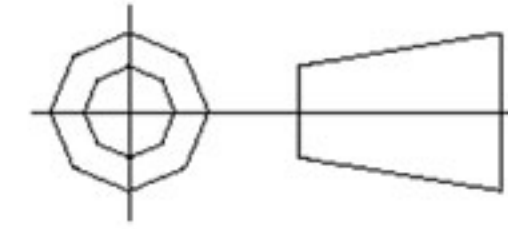
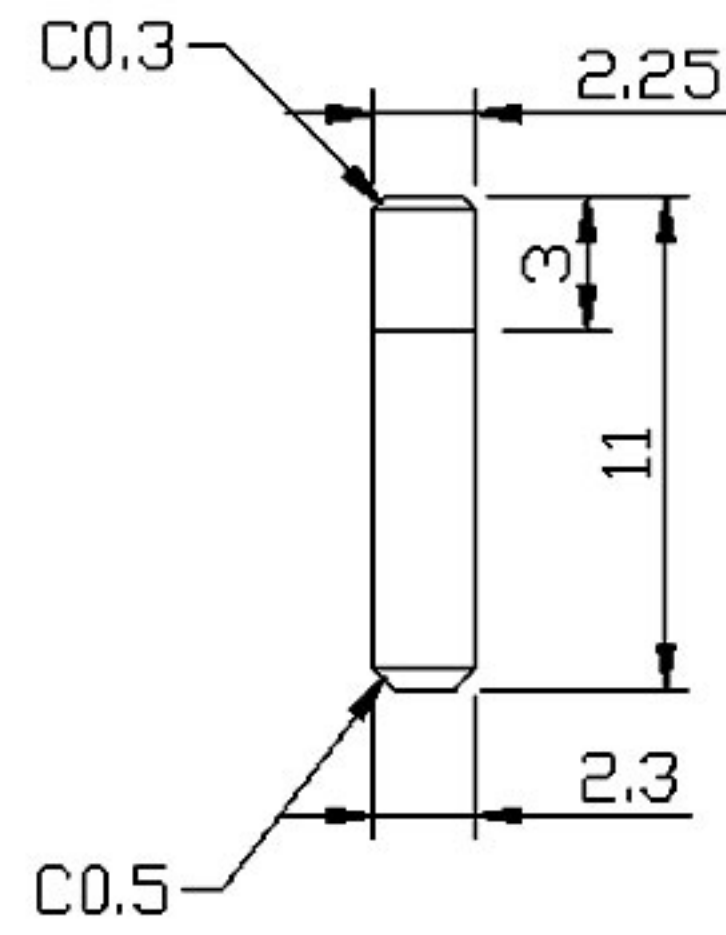
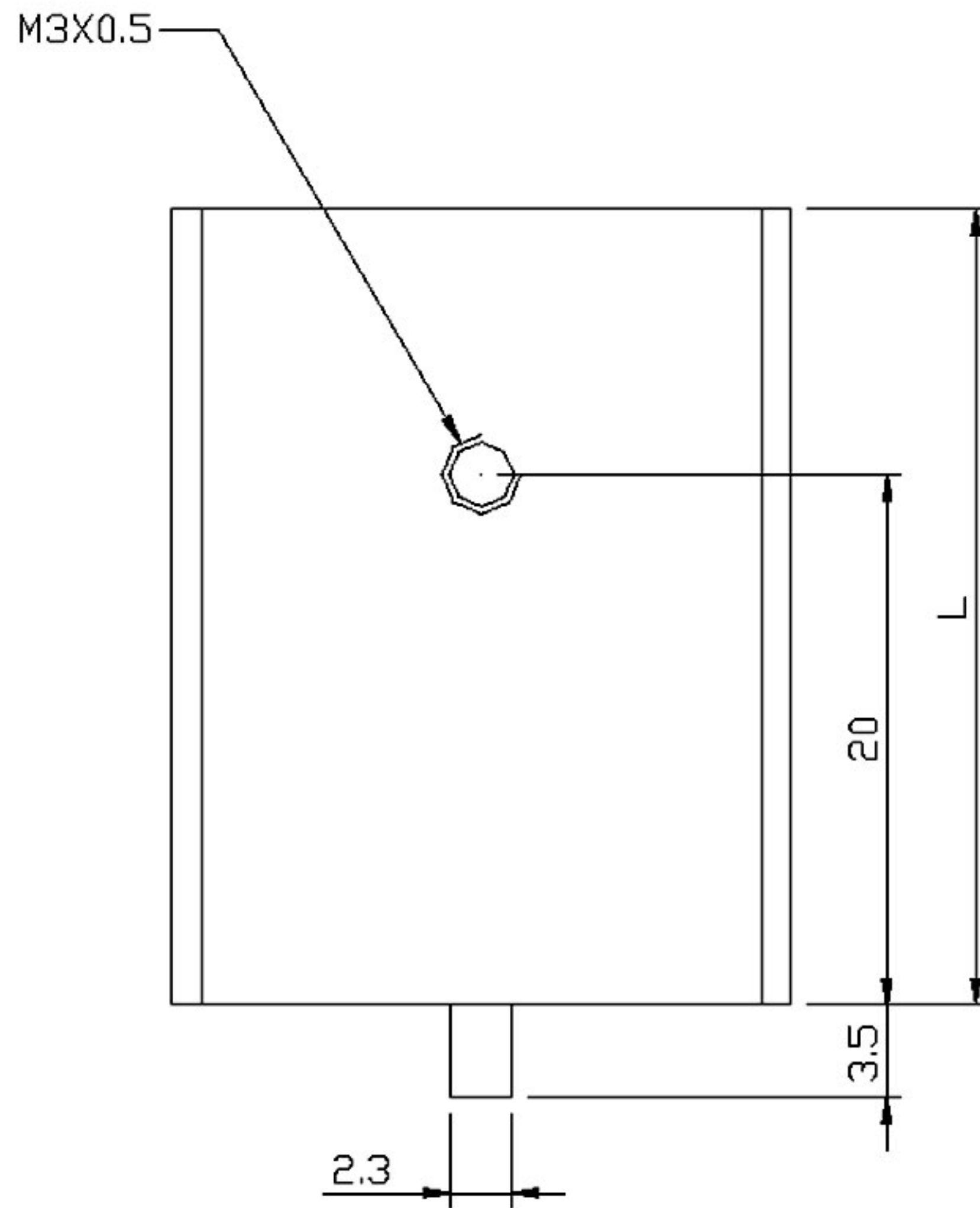


FECOM

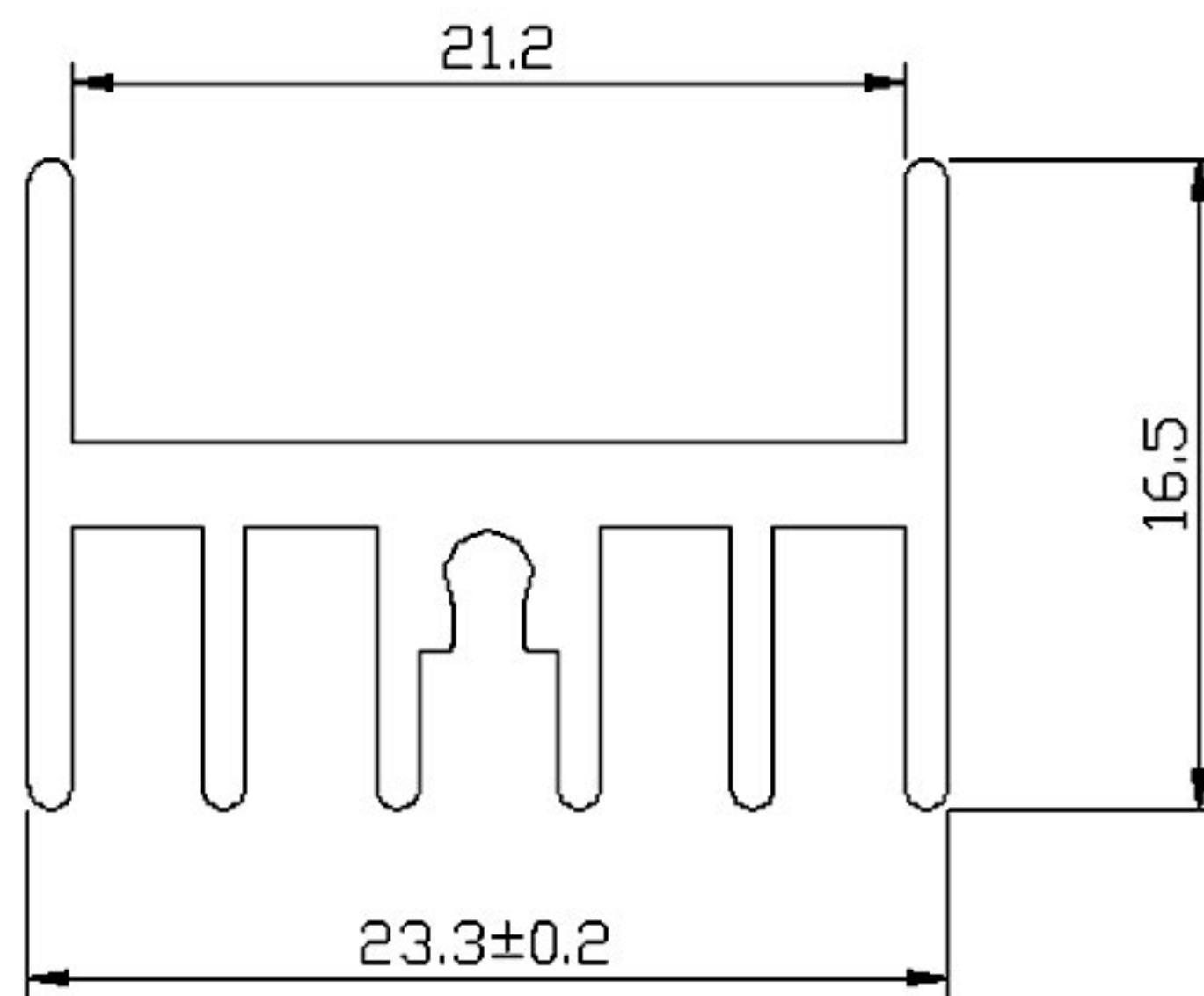
THIRD ANGLE
PROJECTION



REMOVE ALL BURRS
& SHARP EDGES



DETAIL "G" 1:1



CODE	L
-01	25
-02	30
-03	40

MATERIAL: AL6063-T5

FINISH: BLACK ANODIZE

HEAT SINK

FECOM P/N: FE-T220-0018-0X