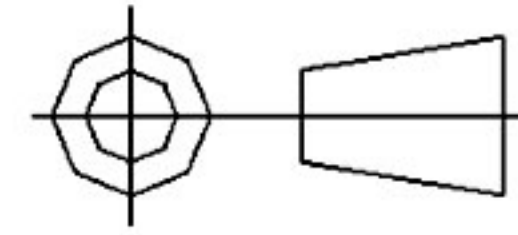
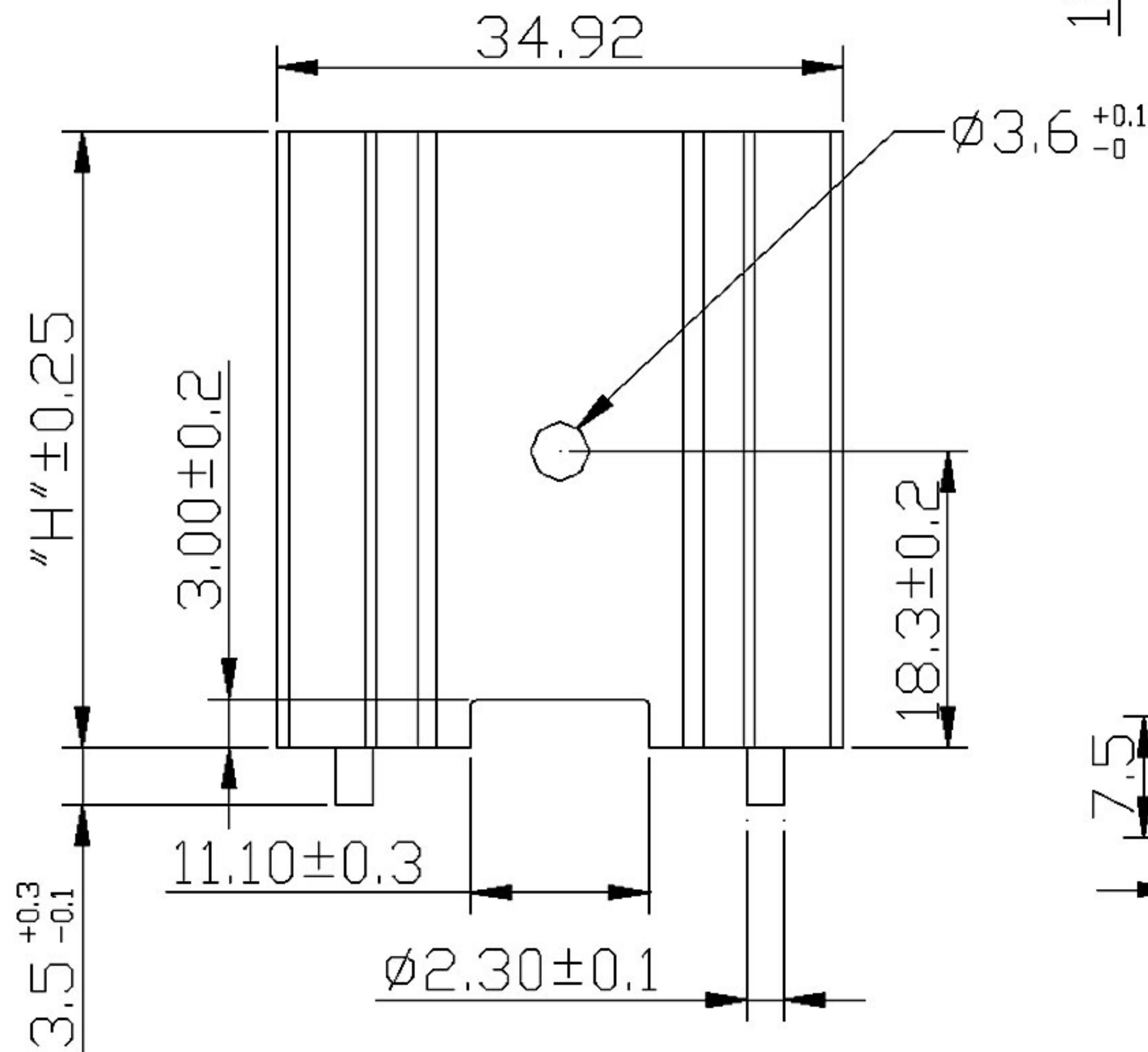
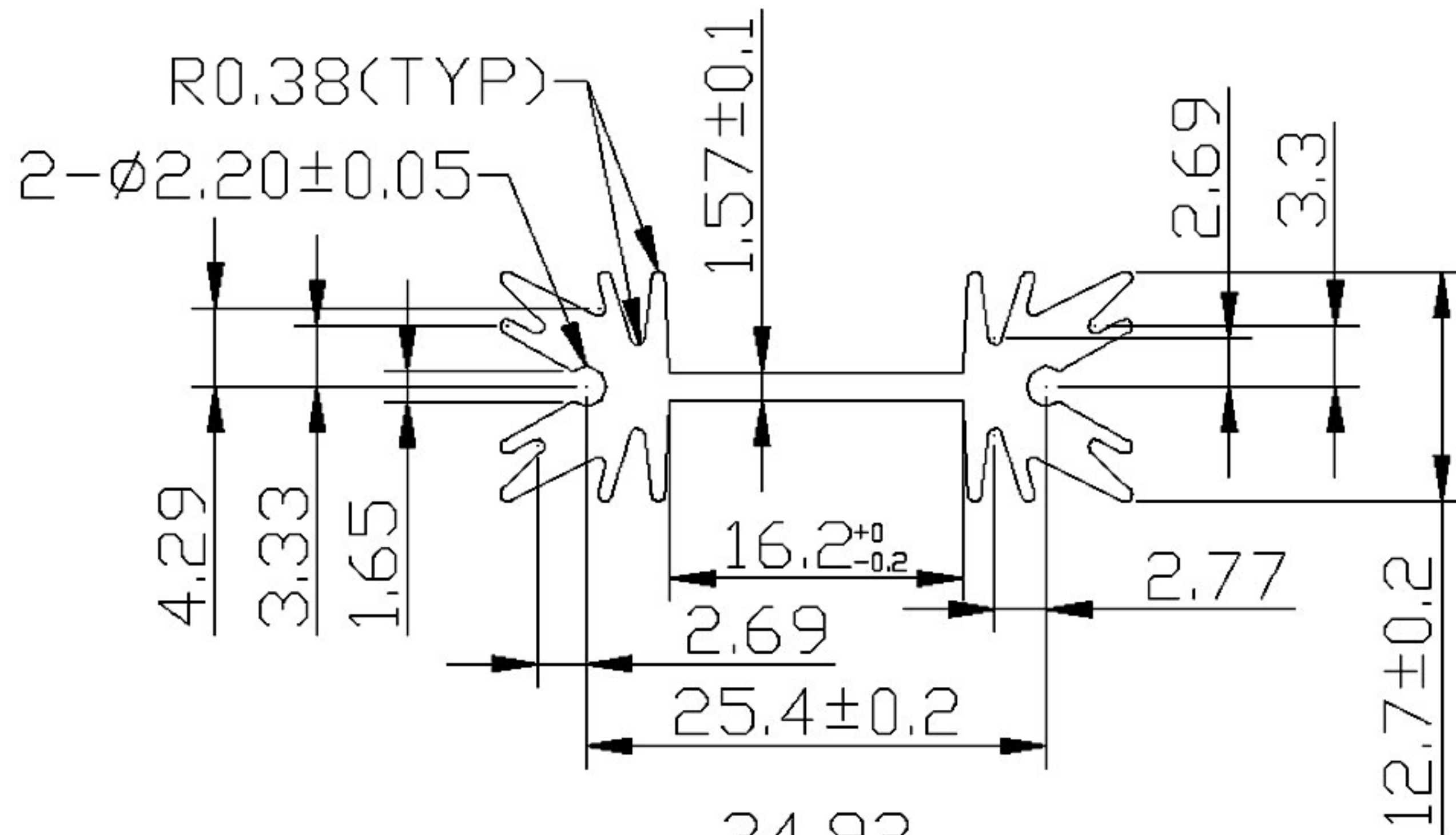


# FECOM

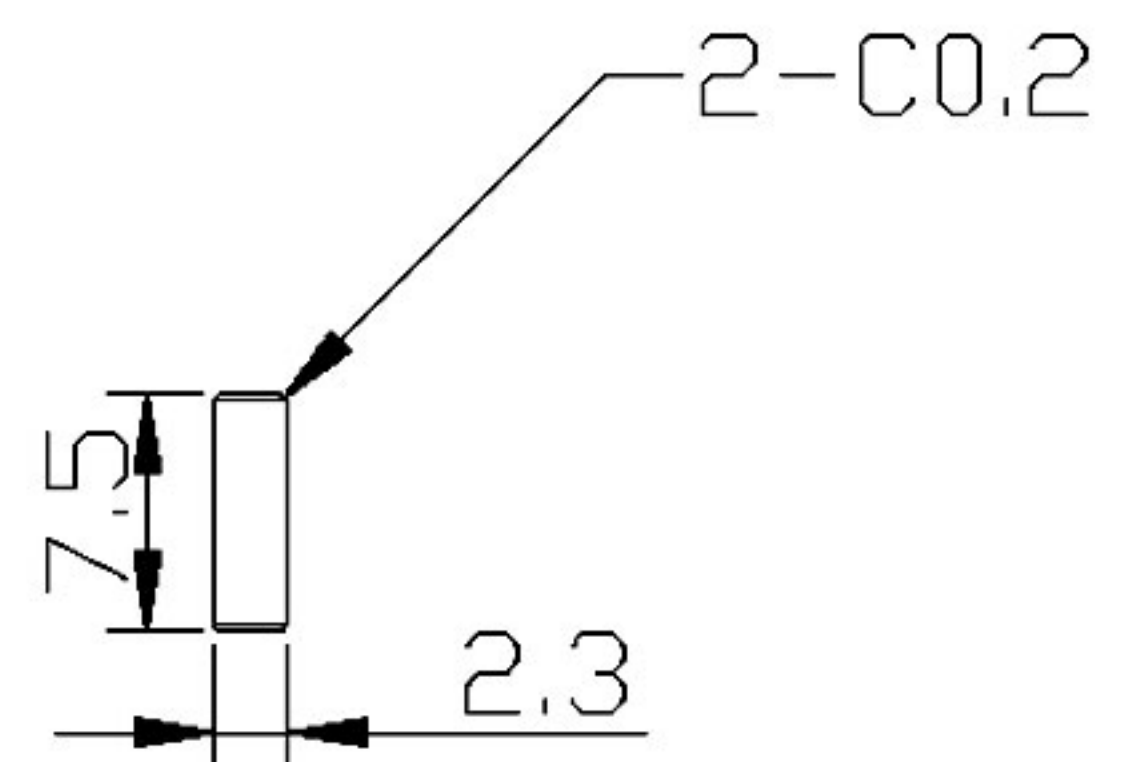
THIRD ANGLE  
PROJECTION



REMOVE ALL BURRS  
& SHARP EDGES



CODE	H
01	25.4
02	38.1



MATERIAL: AL6063-T5

FINISH: BLACK ANODIZE

HEAT SINK

FECOM P/N: FE-T220-0009-0X