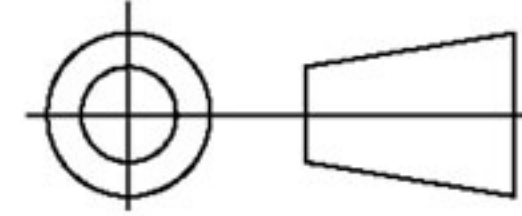
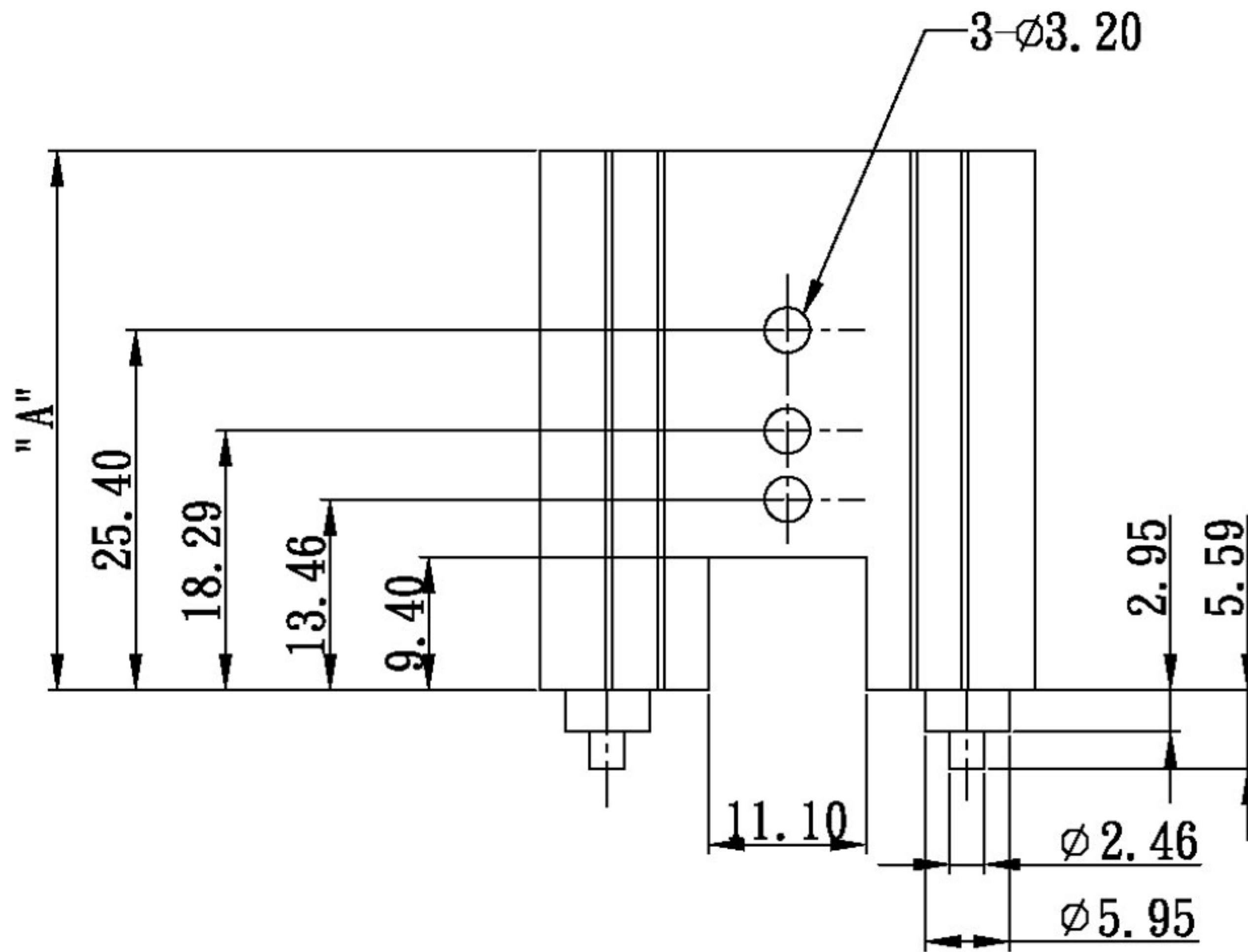
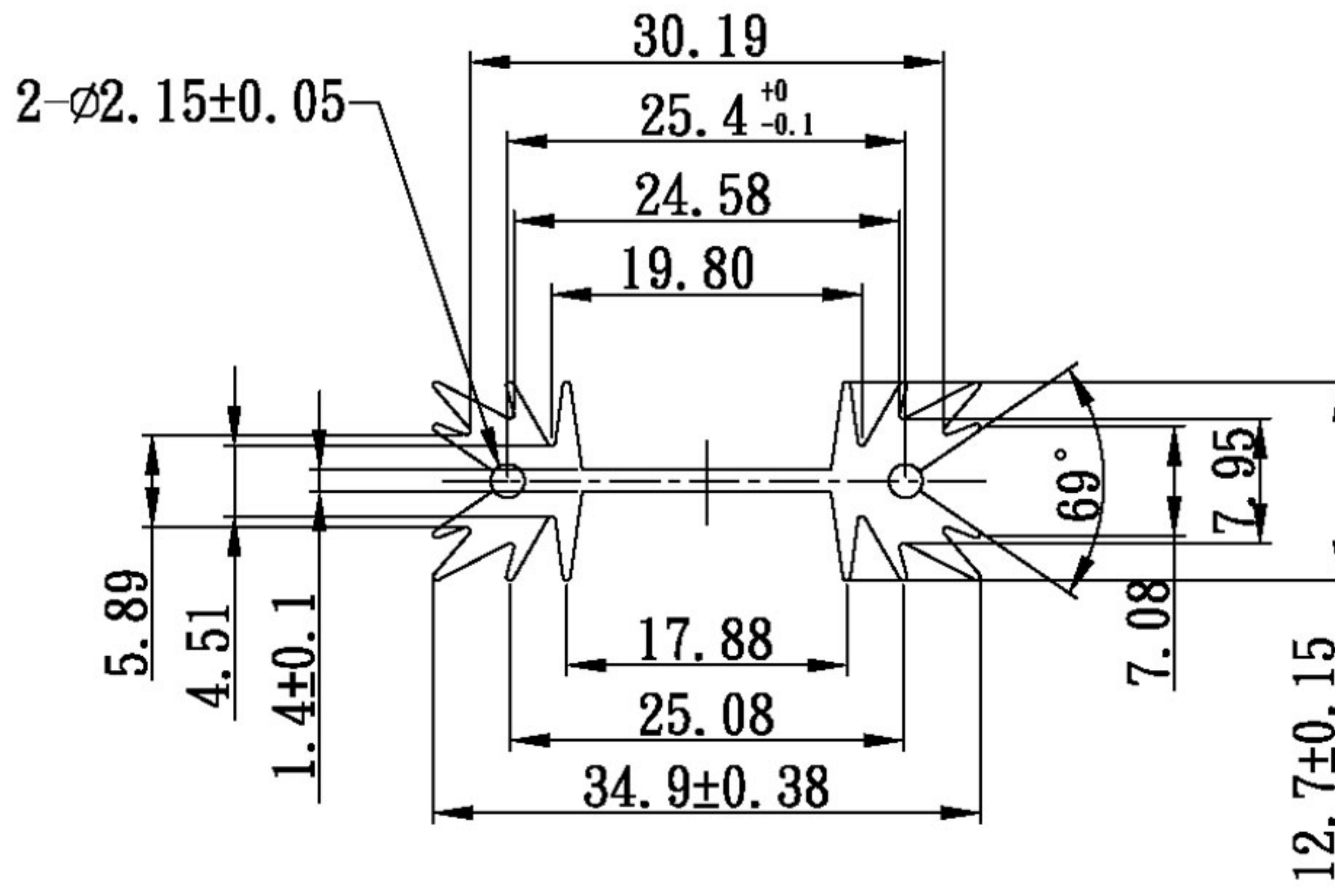


# FECOM

THIRD ANGLE  
PROJECTION



REMOVE ALL BURRS  
& SHARP EDGES



CODE	"A"
01	25.4
02	38.1
03	50.8
04	63.5

MATERIAL: AL6063

FINISH: BLACK ANODIZE

HEAT SINK

FECOM P/N: FE-T220-0008-0X