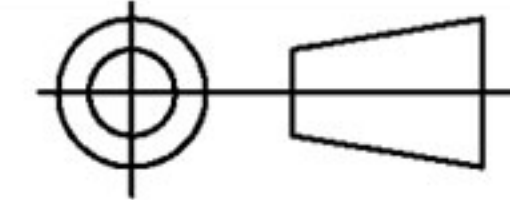
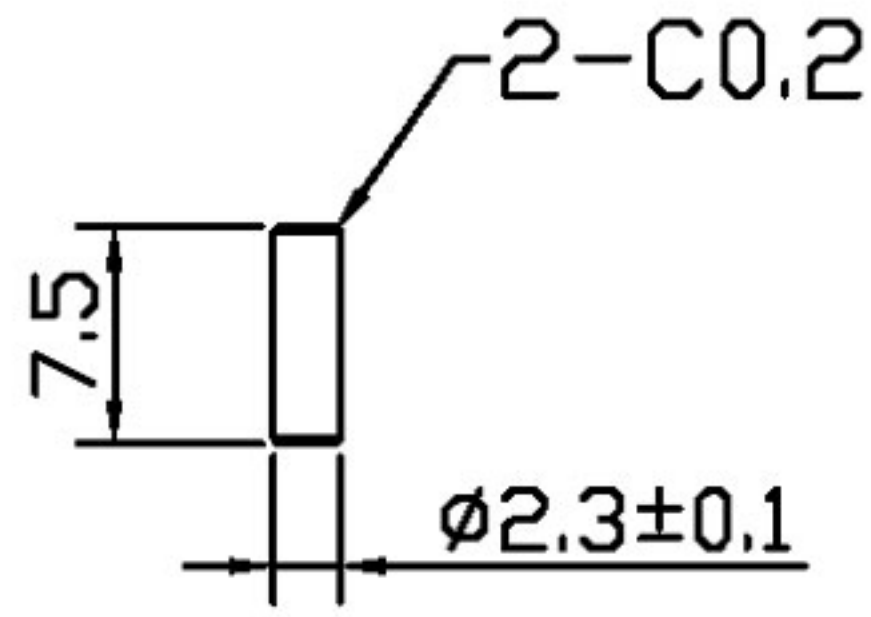


FECOM

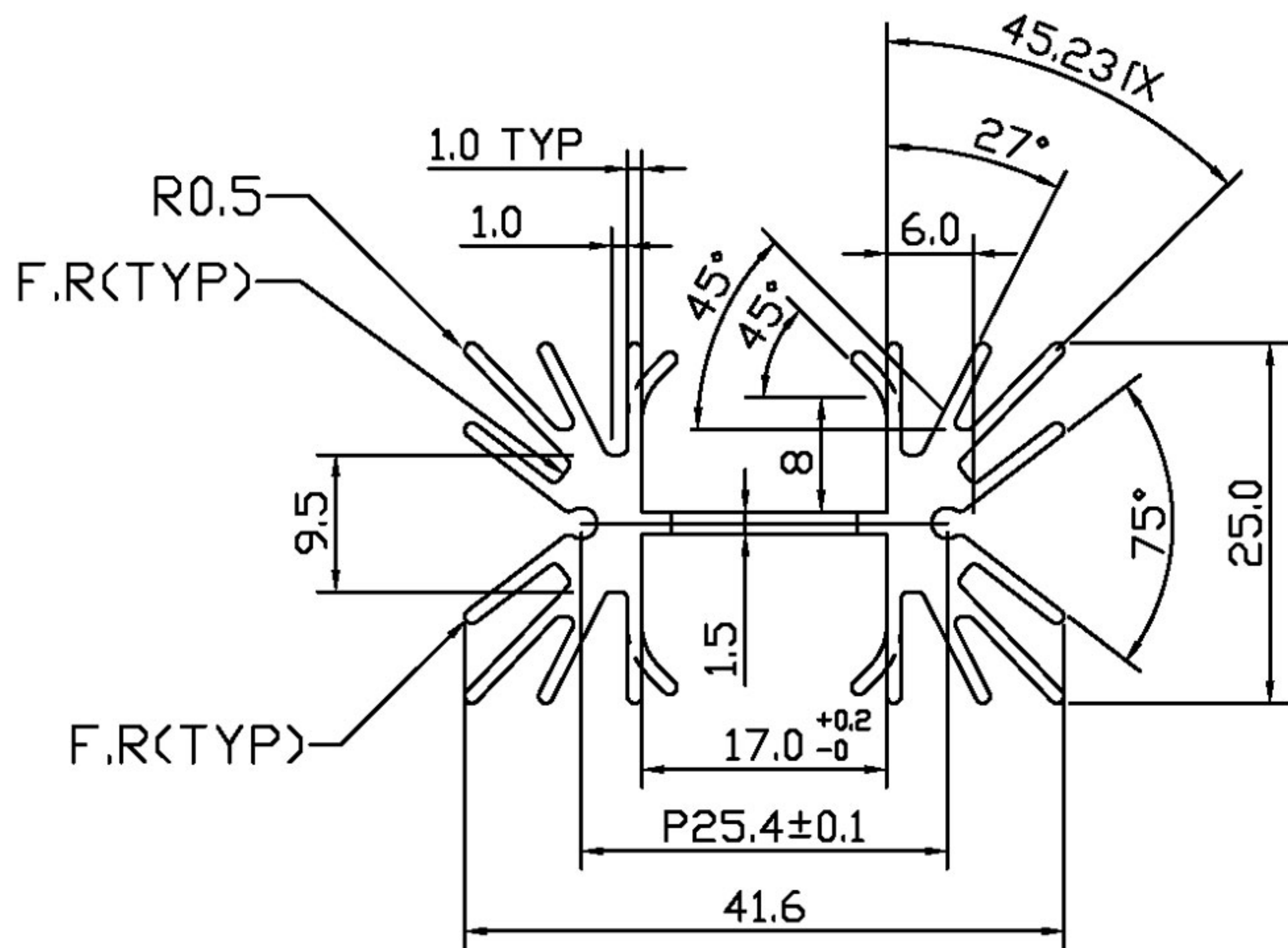
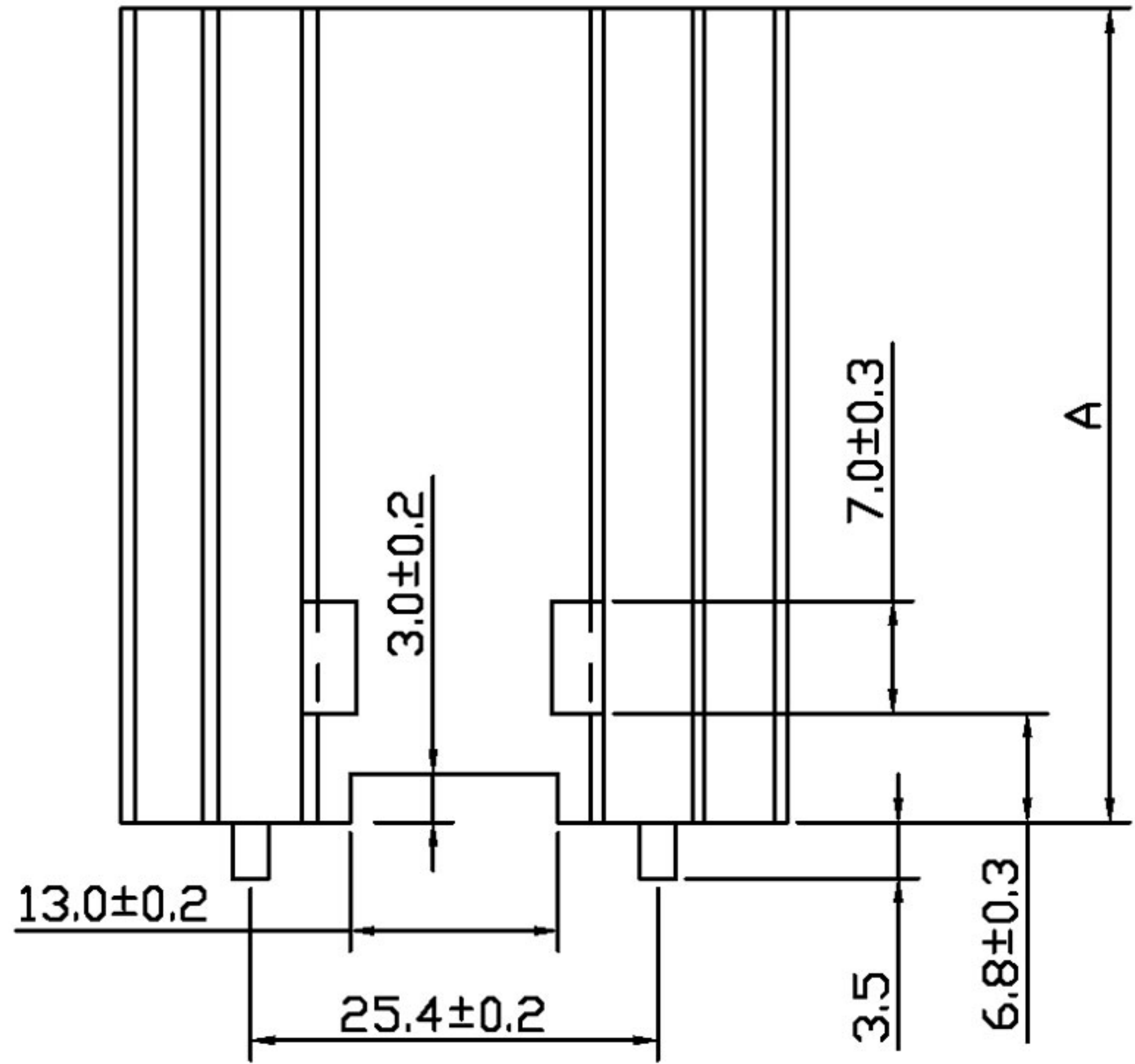
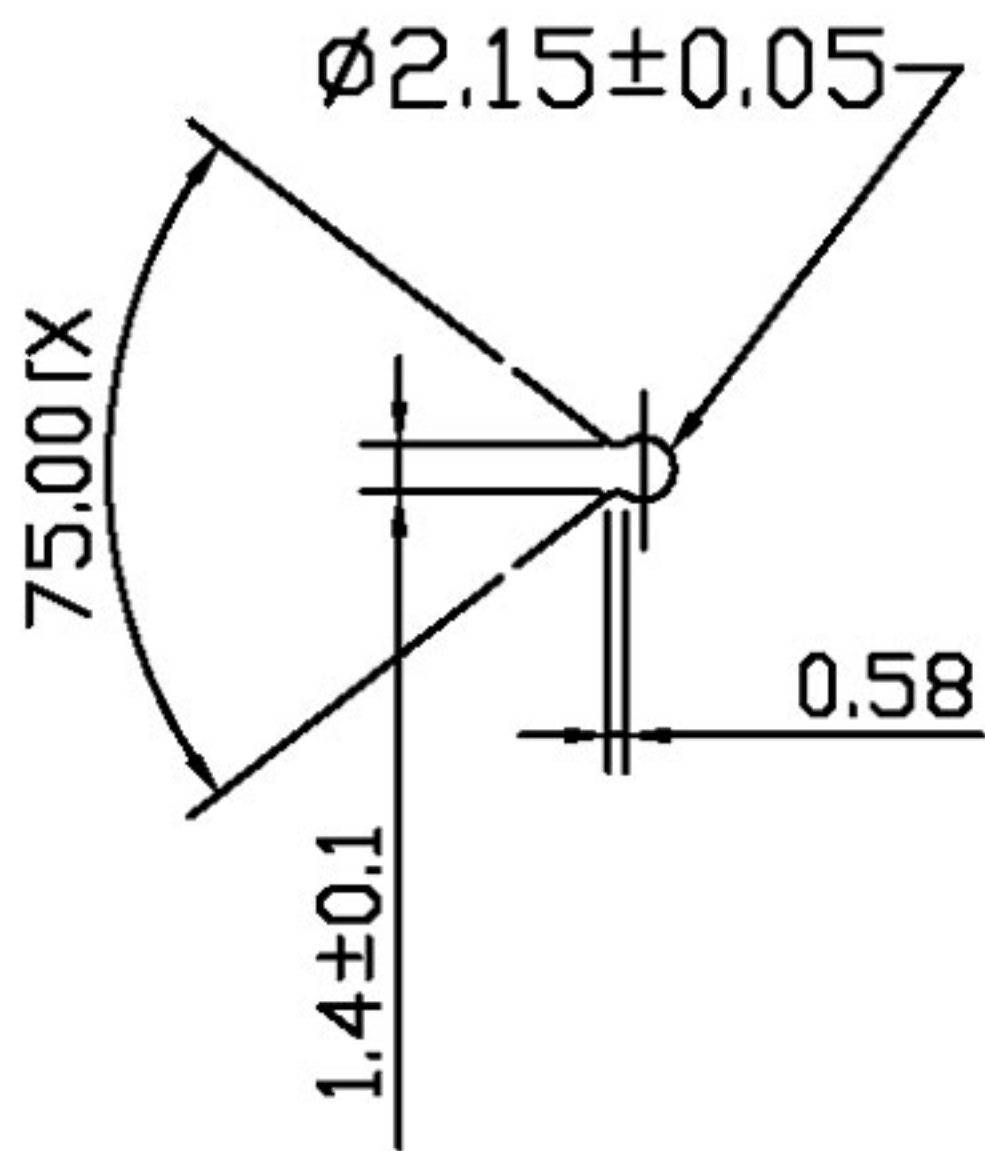
THIRD ANGLE
PROJECTION



REMOVE ALL BURRS
& SHARP EDGES



PIN



CODE	A
-000	25.40mm
-001	31.75mm
-002	38.10mm
-003	50.80mm
-004	63.50mm

MATERIAL: AL6063-T5

FINISH: BLACK ANODIZE

HEAT SINK

FECOM P/N: FE-T218-0011-00X