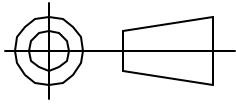
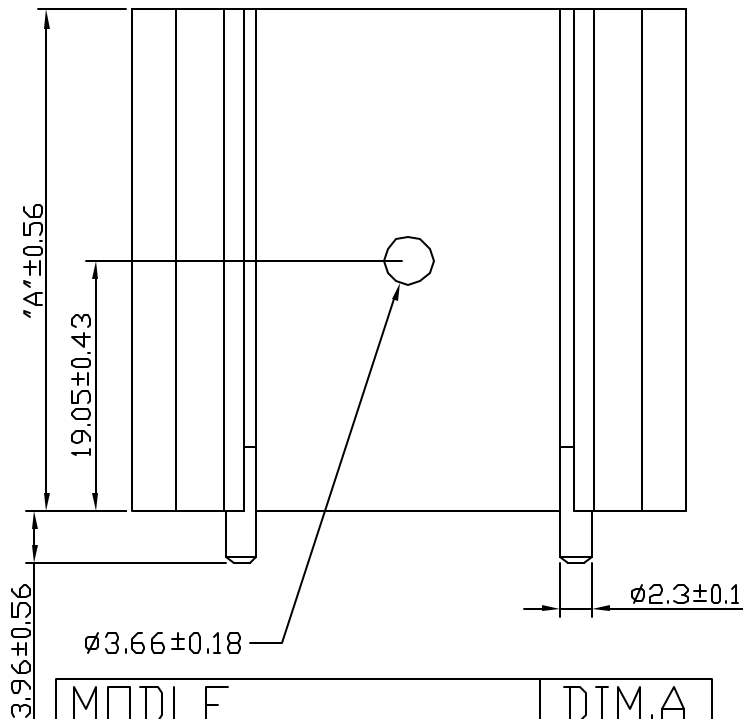
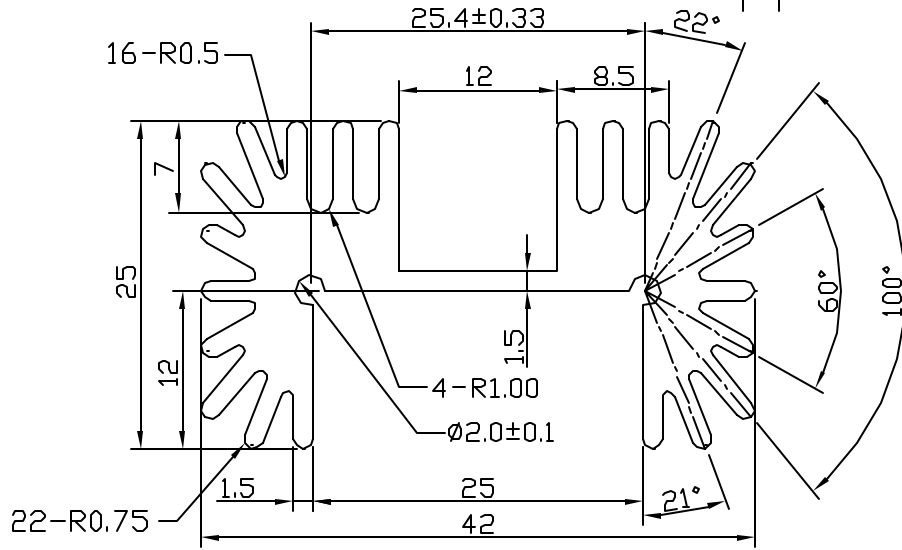


THIRD ANGLE  
PROJECTION



REMOVE ALL BURRS  
& SHARP EDGES

REVISIONS	DATE
	2002/02/26



2 SOLDER PINS,  
TIN PLATED

MODLE	DIM,A
FE-T218-0004-01	25.40
FE-T218-0004-02	38.10
FE-T218-0004-03	50.80
FE-T218-0004-04	63.50
FE-T218-0004-05	31.80

<b>FECOM CORPORATION</b>	TOLERANCE UNIT ± 0.2	MATERIAL : 6063-T5 TS-78359	TITLE : HEAT SINK
		FINISHED : BLACK ANODIZED	PART NO : FE-T218-0004-XX
		SCALE :	DRAWING NO :
		DIMENSIONS IN M/M	