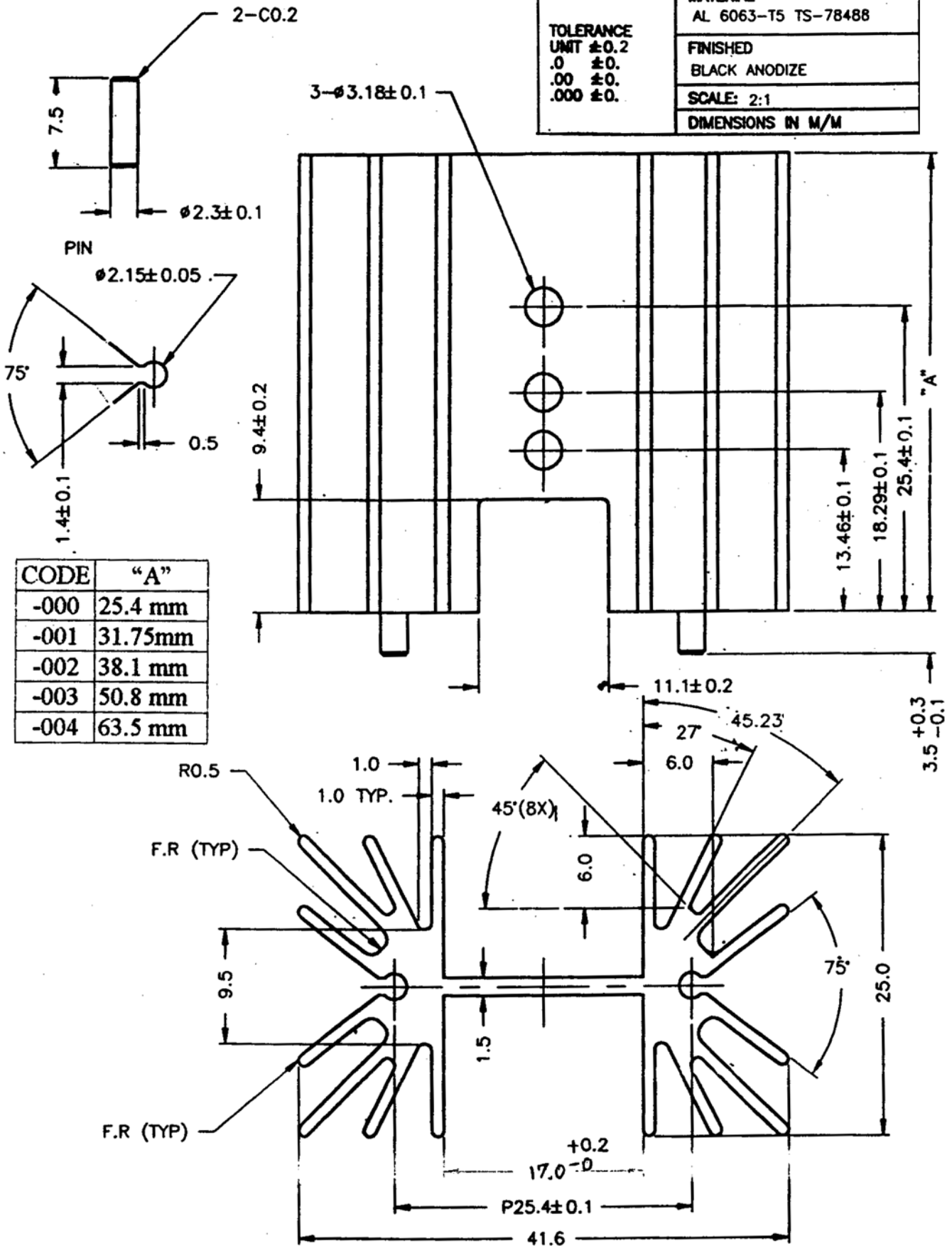


TOLERANCE UNIT ± 0.2 .0 $\pm 0.$.00 $\pm 0.$.000 $\pm 0.$	MATERIAL AL 6063-T5 TS-78488
	FINISHED BLACK ANODIZE
	SCALE: 2:1
	DIMENSIONS IN M/M



DATE: 6/11/1

DWG No. 10611D9

HEAT SINK

P/N: FE-T218-0001-XXX