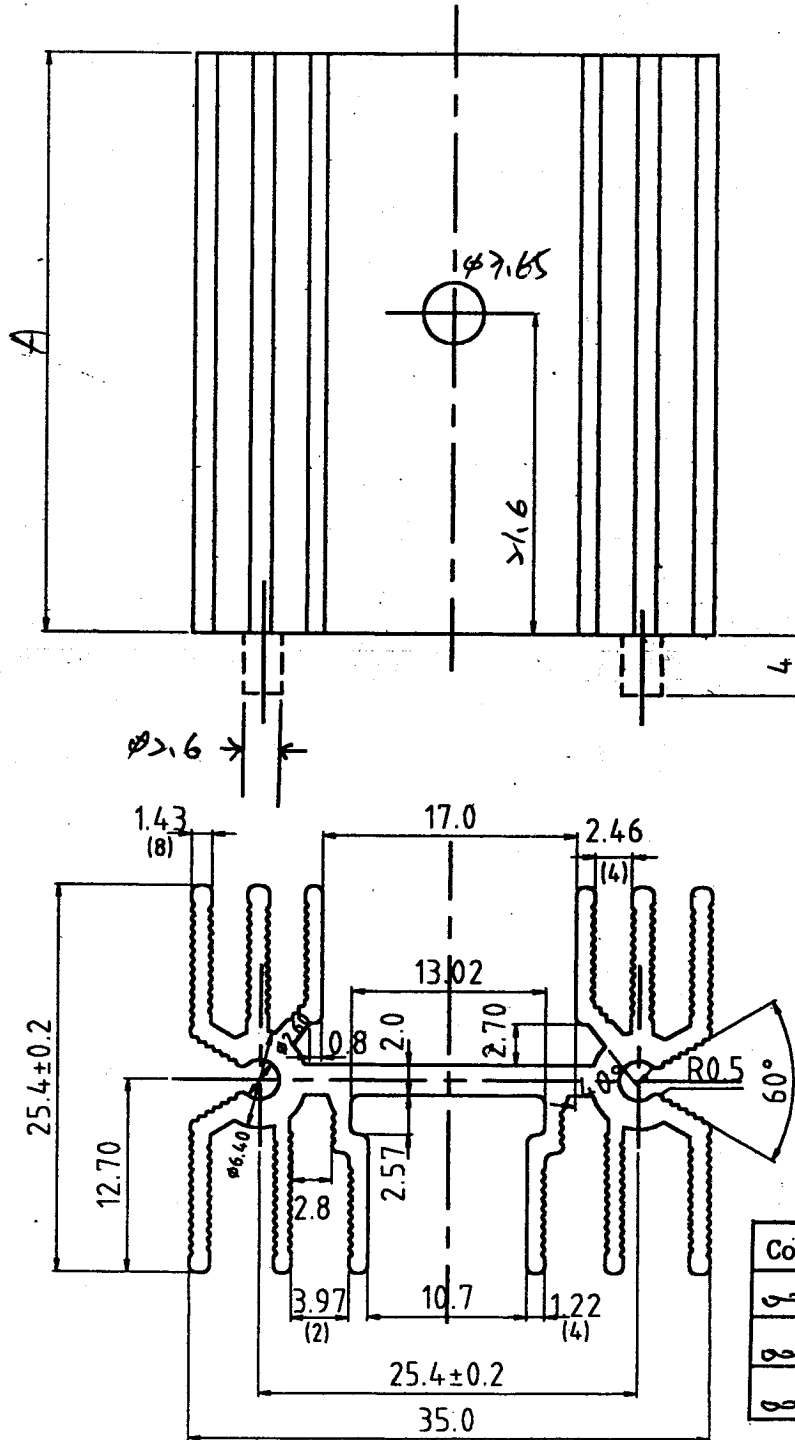


THIRD ANGLE  
PROJECTION



REMOVE ALL BURRS  
& SHARP EDGES

REVISIONS	DATE



Code	A
001	38 m/m
002	50 m/m
007	63 m/m

FECOM CORPORATION	TOLERANCE	MATERIAL	TITLE:
	unit ± 0.2	AL 6063	HEAT SINK
	.0 ± 0.	FINISHED	PART NO:
	.00 ± 0.0	BLACK ANODIZED	FE-ALU-0036
	.000 ± 0.00	SCALE: 2:1	DRAWING NO:
		DIMENSIONS IN MM	