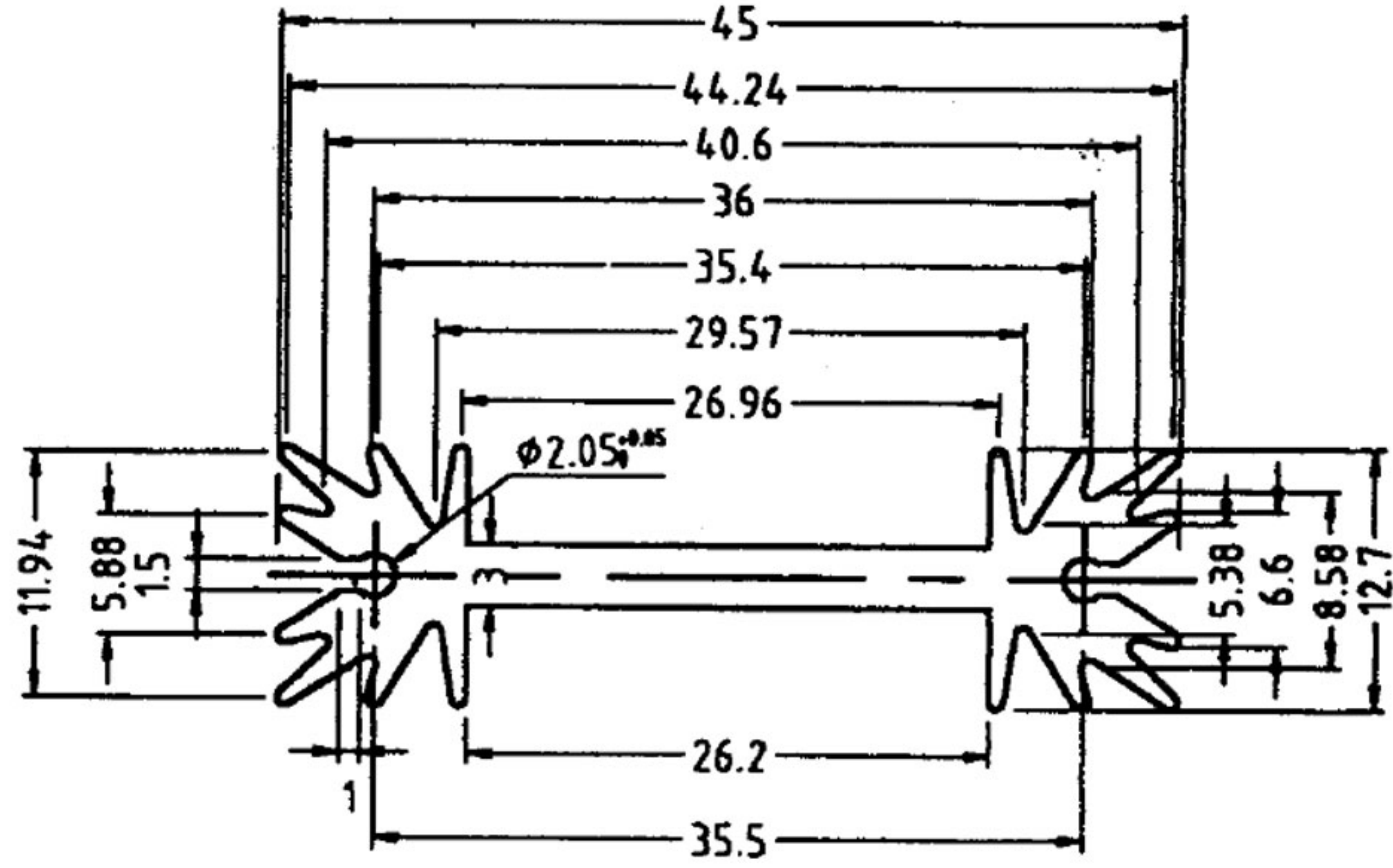
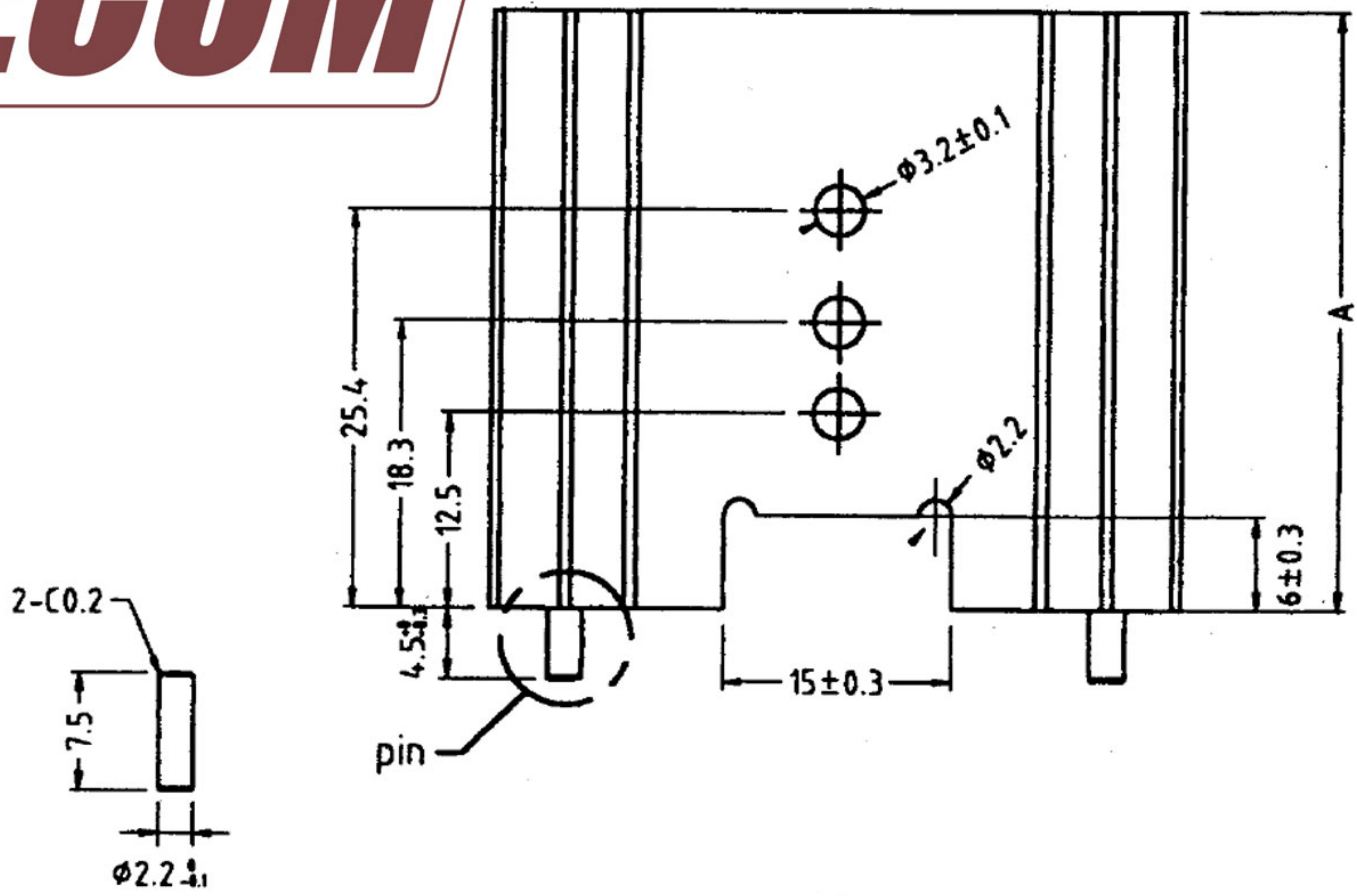


FECOM



CODE	A
001	25.4
002	38.1
003	50.8
004	63.5

MATERIAL: AL6063-T5

FINISH: BLACK ANODIZE

HEAT SINK

FECOM P/N: FE-ALU-0035-00X