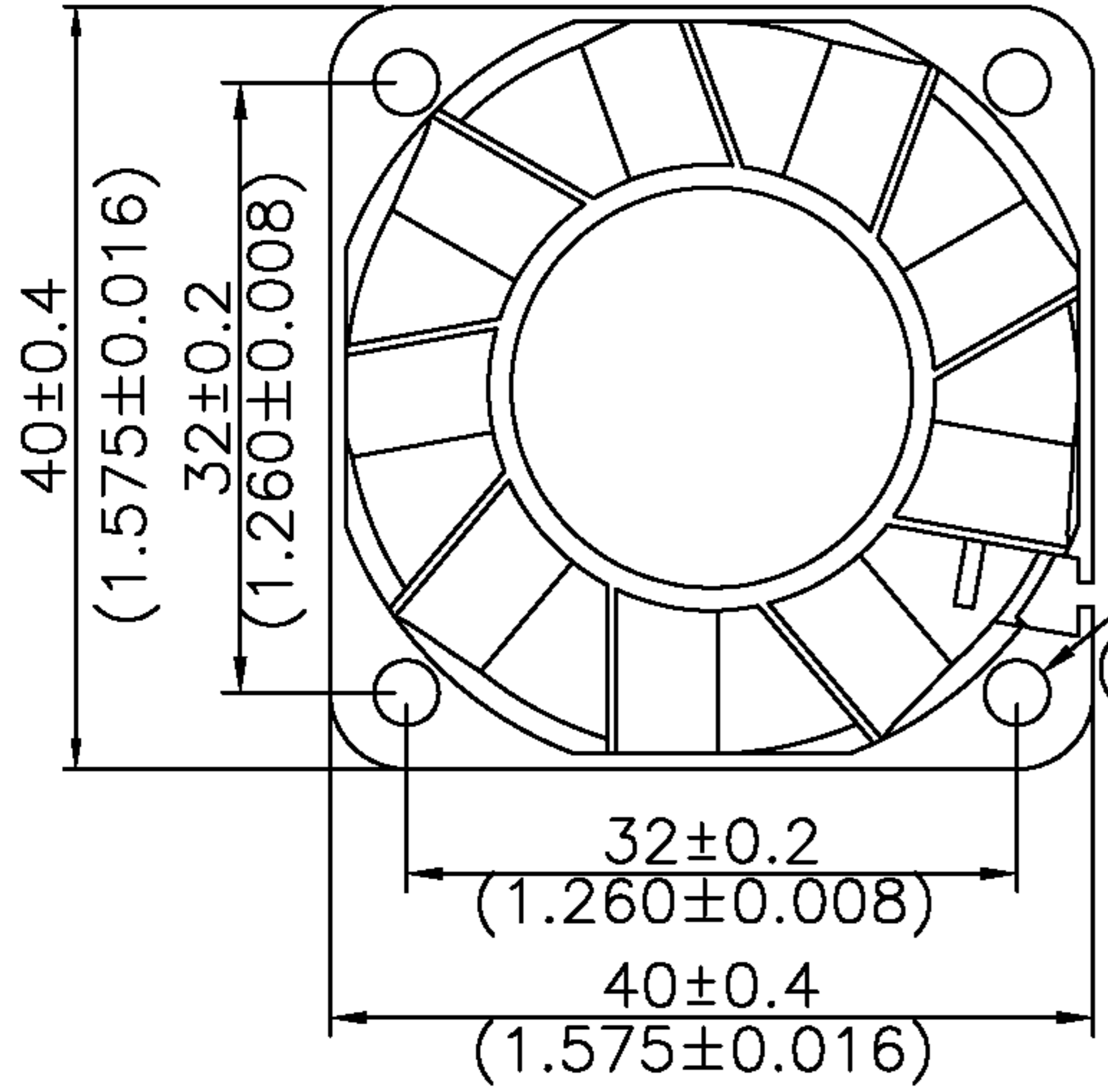




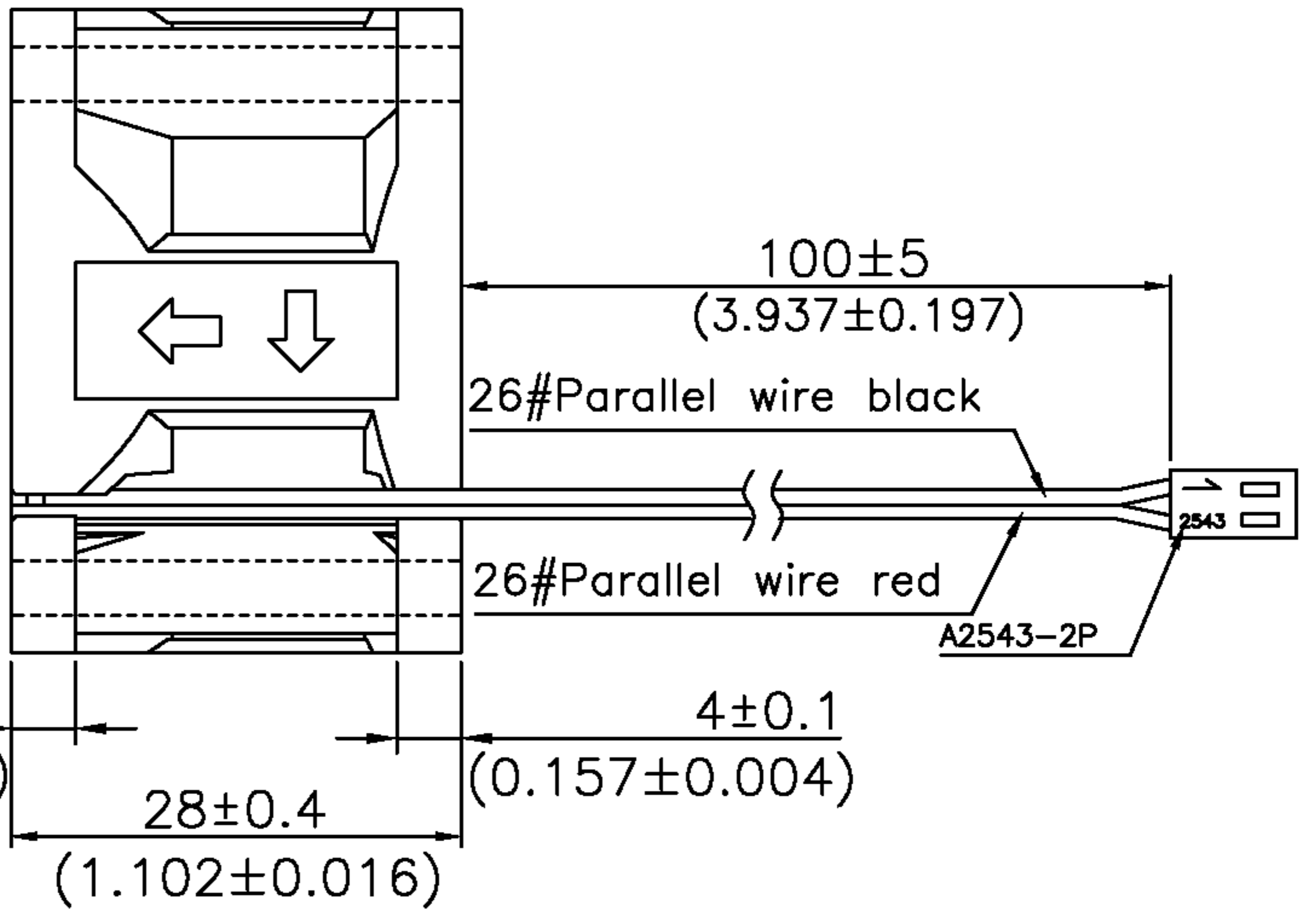
ROTATION

AIR FLOW



4- $\phi$ 3.4±0.1  
(4- $\phi$ 0.134±0.004)

4±0.1  
(0.157±0.004)



UNIT:  $\frac{\text{MM}}{\text{(INCH)}}$

FECOM P/N: DC-4028  
DC AXIAL FAN 40mm x 40mm