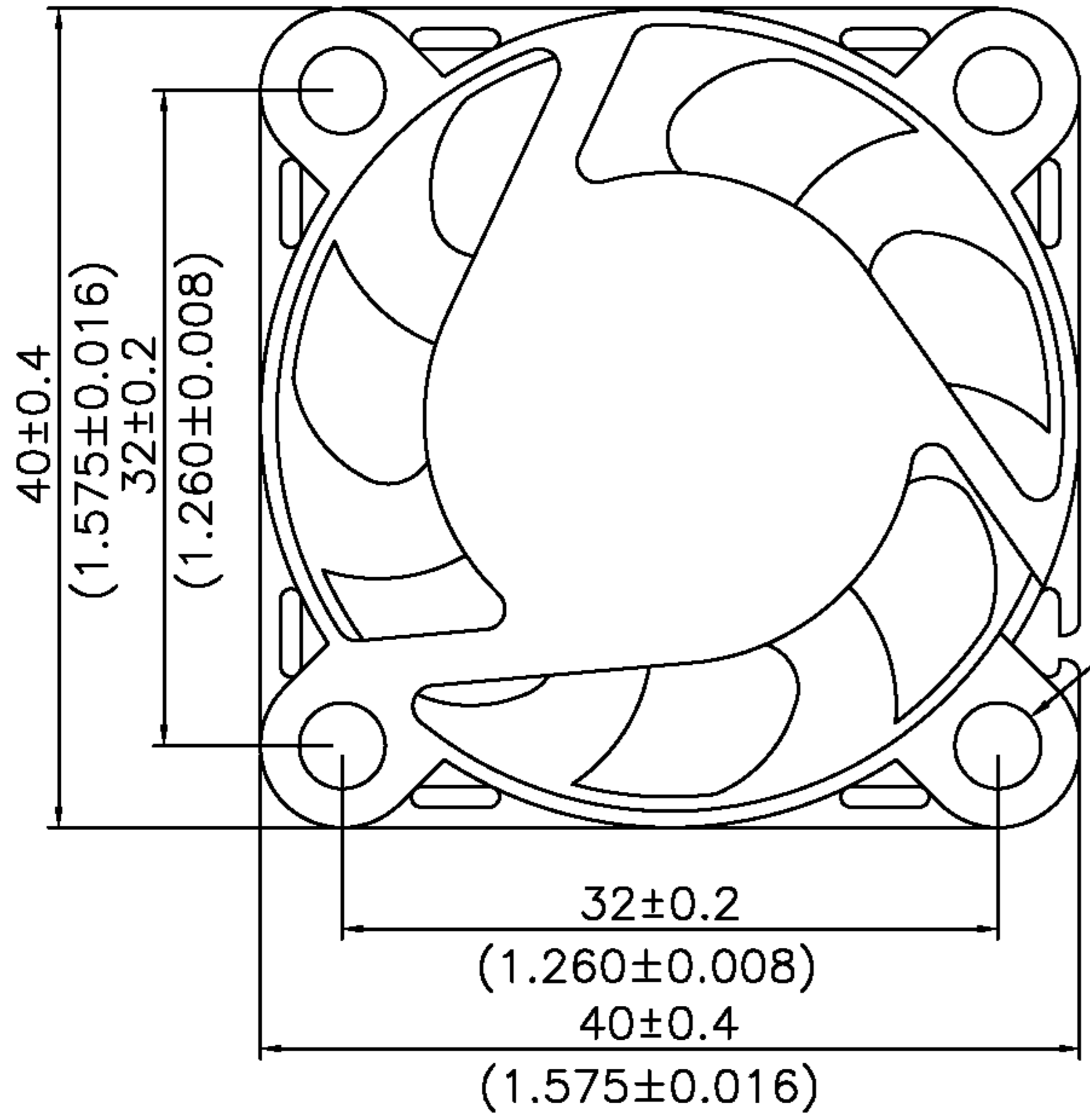


# FECOM

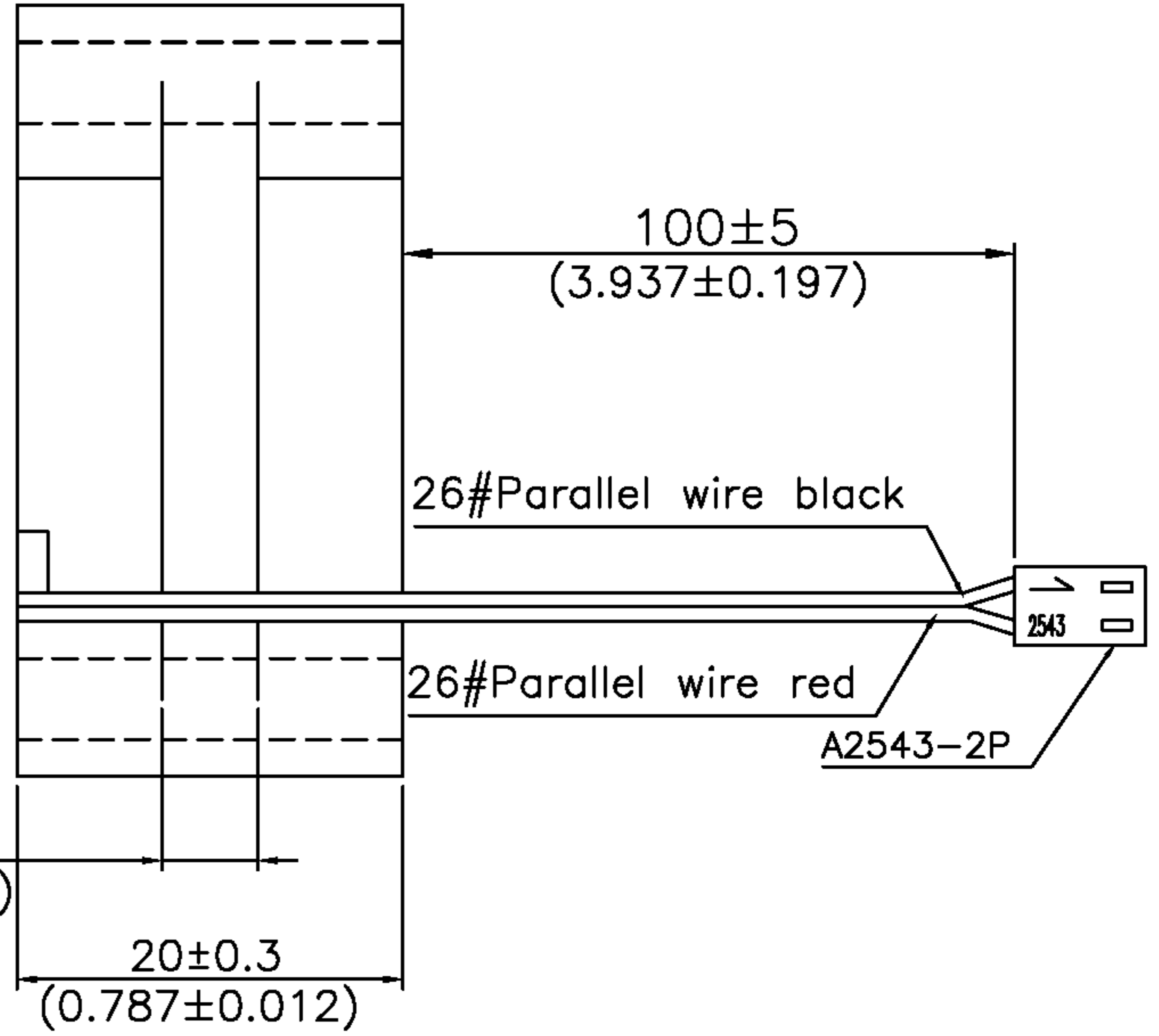
ROTATION

AIR FLOW



4- $\phi$ 4.2±0.1  
(4- $\phi$ 0.165±0.004)

5±0.1  
(0.197±0.004)



26# Parallel wire black

26# Parallel wire red

A2543-2P

2543

UNIT:  $\frac{\text{MM}}{\text{(INCH)}}$

FECOM P/N: DC-4020  
DC AXIAL FAN 40mm x 40mm