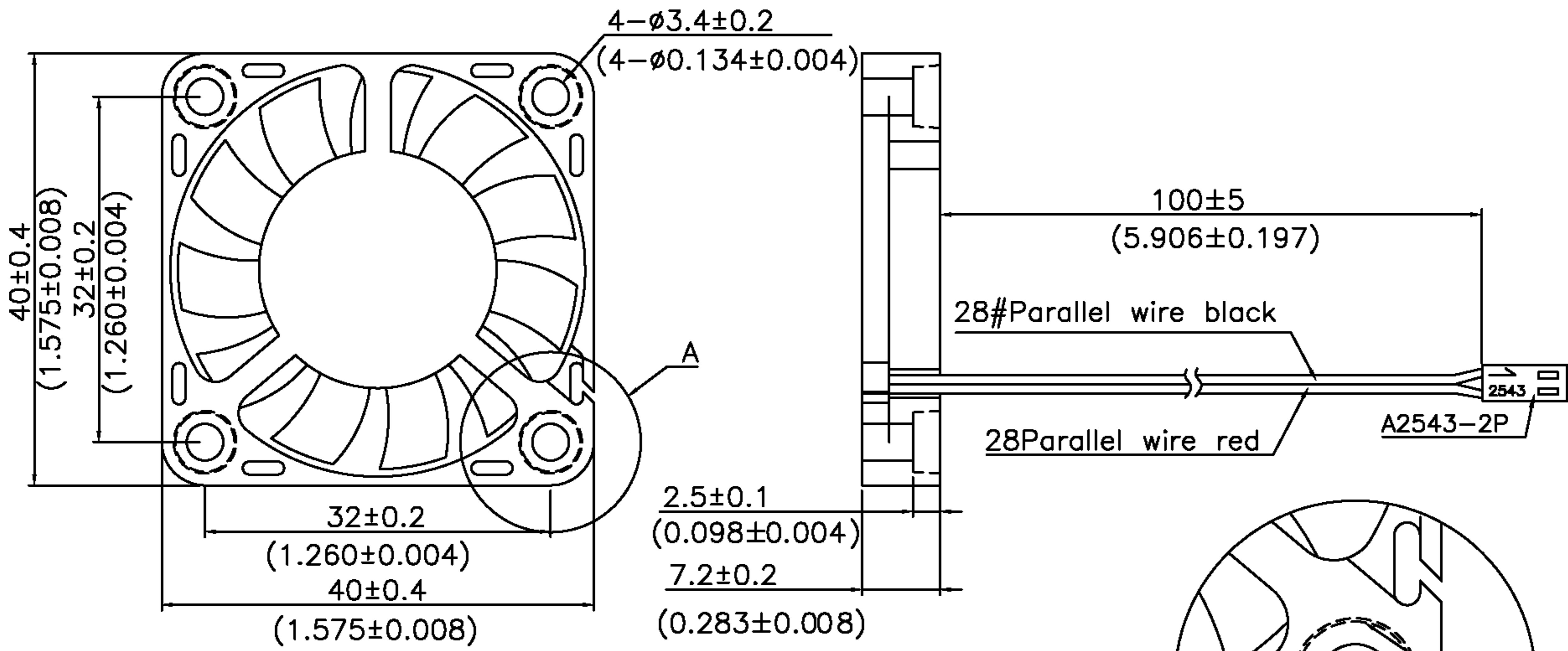


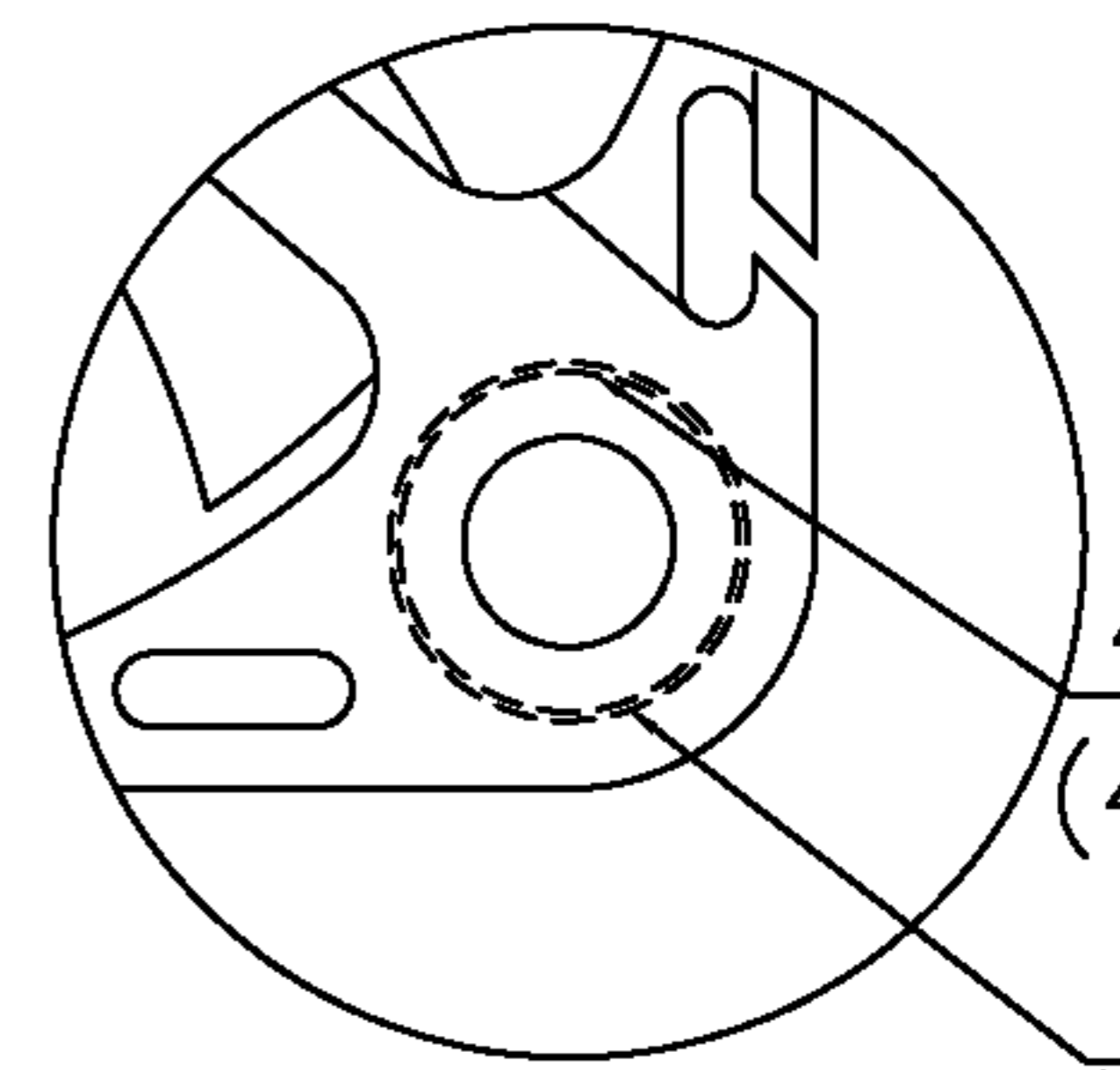


ROTATION

AIR FLOW



UNIT:  $\frac{\text{MM}}{\text{(INCH)}}$



A ZOOM 比例 2:1

FECOM P/N: DC-4007  
DC AXIAL FAN 40mm x 40mm