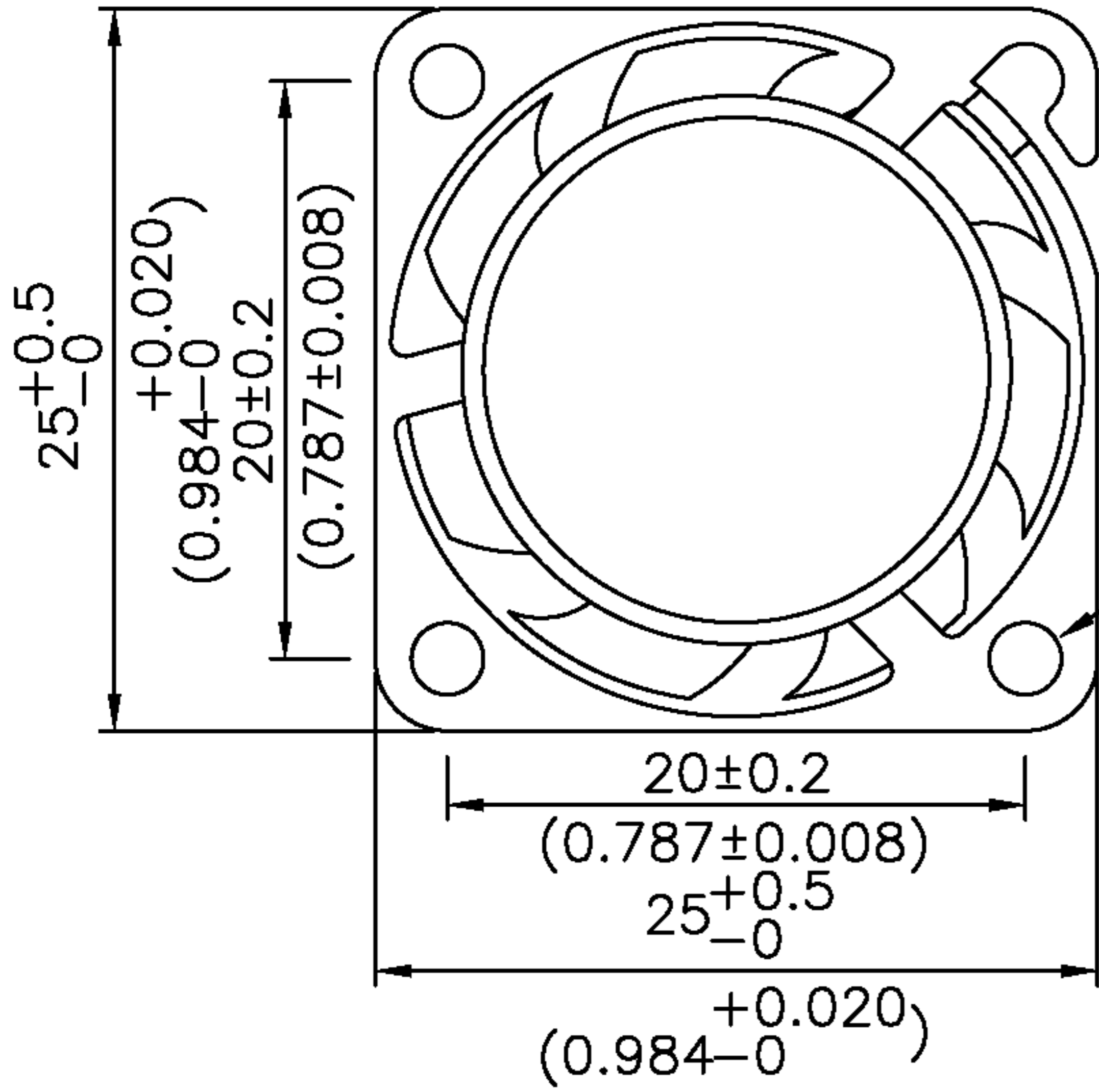




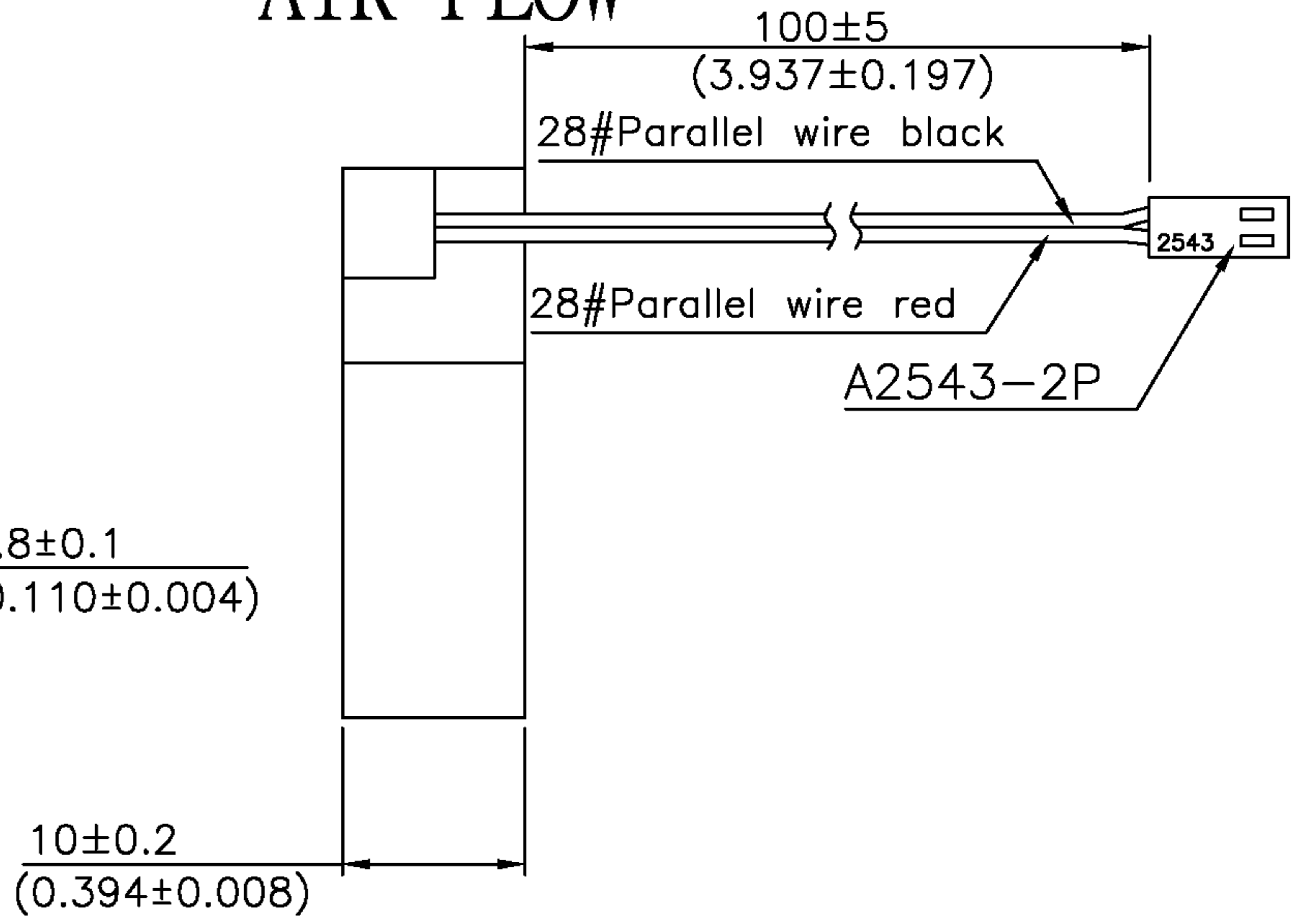
ROTATION



3- ϕ 2.8±0.1
(3- ϕ 0.110±0.004)

UNIT: $\frac{MM}{(INCH)}$

AIR FLOW



FECOM P/N: DC-2510
DC AXIAL FAN 25mm x 25mm